

4

3

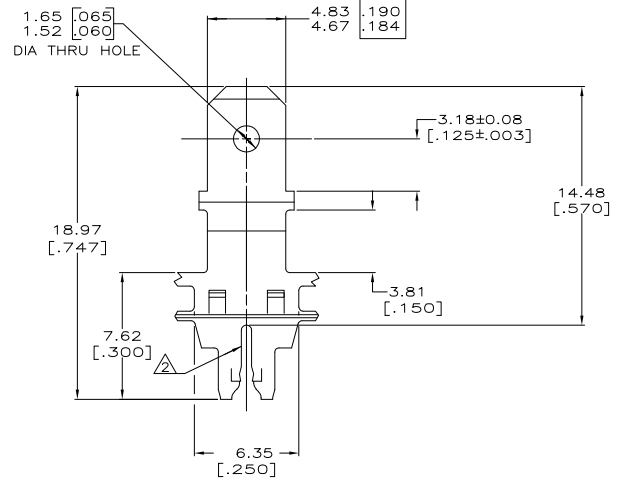
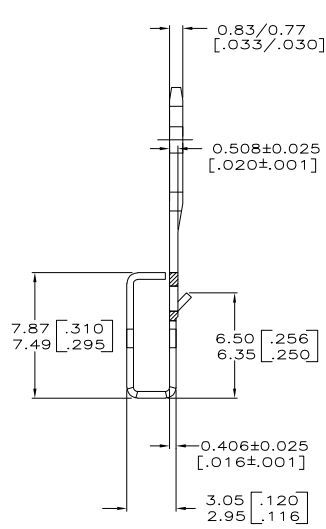
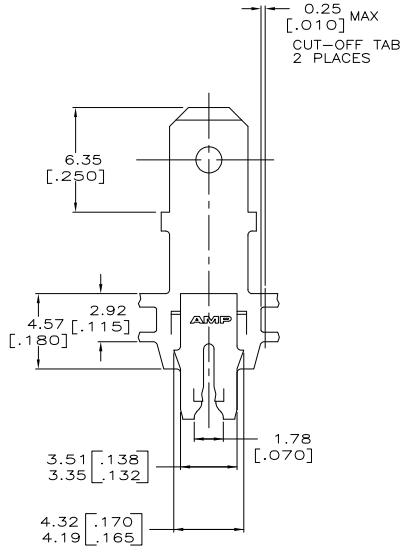
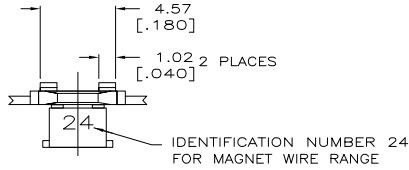
2

1

THIS DRAWING IS UNPUBLISHED. RELEASED FOR PUBLICATION
 © COPYRIGHT BY TYCO ELECTRONICS CORPORATION. ALL RIGHTS RESERVED.

LOC	DIST	REVISIONS			
P	LTR	DESCRIPTION	DATE	BY	APPD
AF	50				
B		REV PER ECR -06-010492	02OCT06	JR	KR

- 1 CONTINUOUS STRIP ON REELS WITH TERMINALS LOCATED ON 8.38±0.08 [.330±.003] CENTERS.
- 2 SLOT TERMINATES A SINGLE COPPER MAGNET WIRE COPPER RANGE: 0.91-1.13mm [#19-#17] AWG.



1217994-1
 PART NUMBER

THIS DRAWING IS A CONTROLLED DOCUMENT.		DWG: MICHAEL S. FEYER 02OCT2003 OK: KURT A. RANDOLPH 02OCT2003 APP: KURT A. RANDOLPH 02OCT2003	Tyco Electronics Tyco Electronics Corporation Harrisburg, PA 17105-3608
DIMENSIONS: mm [INCHES]	DIMENSIONS UNLESS OTHERWISE SPECIFIED: 0 PLG ± .010 1 PLG ± .015 2 PLG ± .025 (0.10) 3 PLG ± .030 4 PLG ± .040 ANGLES ± .5° FINISH	NAME: KURT A. RANDOLPH PRODUCT SPEC: 108-2012 APPLICATION SPEC: 114-2094 HEIGHT: - MATERIAL: 4M PRE-MILLED BRASS FINISH: 0.002032 [.000080] MIN TIN PLATE	SIZE: A2 CHG CODE: 00779 DRAWING NO: 1217994 SCALE: 6:1 SHEET: 1 OF 1 REV: B