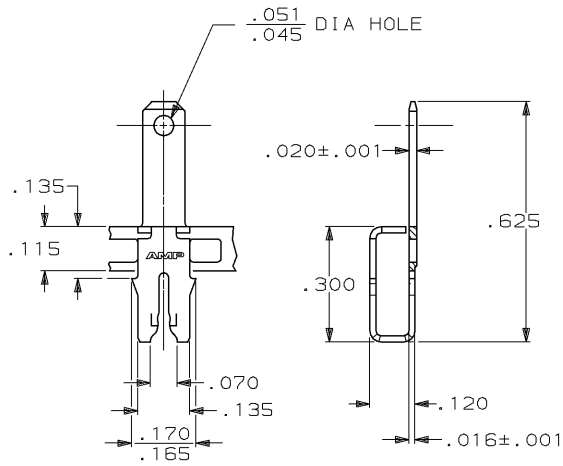
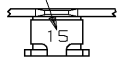


DRAWING MADE IN THIRD ANGLE PROJECTION

THIS DRAWING IS UNPUBLISHED. RELEASED FOR PUBLICATION  
 © COPYRIGHT 19 BY AMP INCORPORATED, HARRISBURG, PA. ALL INTERNATIONAL RIGHTS RESERVED. AMP PRODUCTS MAY BE COVERED BY U.S. AND FOREIGN PATENTS AND/OR PATENTS PENDING.

LOC	DIST	P	F	ZONE	LTR	DESCRIPTION	DATE	APPROVED
AF	50				A	RELEASED PER F.A.S.R.	5/11/89	MSF

IDENTIFICATION NUMBER 15 FOR MAGNET WIRE RANGE.



- 1 MAG-MATE CAVITY SPECIFICATION.
- 2 CONTINUOUS STRIP ON REELS WITH TERMINALS LOCATED ON .220 CENTERS.
- 3 SLOT ACCEPTS #23-#20 COPPER MAGNET WIRE.
- 4 AFTER INSERTION INTO PLASTIC HOLDER TAB PORTION MUST BE BENT OVER 45° TO 90° OR POTTED TO PREVENT PULL-OUT WHEN MATING RECEPTACLE IS DISCONNECTED.

63486-1

PART NO

UNLESS OTHERWISE SPECIFIED DIMENSIONS ARE IN INCHES TOLERANCES ON: 2 PL DEC ± .010 3 PL DEC ± .010 ANGLES ± 1°	DR	M.S. FEHER	2/23/89
	CHK	JR RUTH	2/24/89
	APPD	NELSON E. NEFF	3/7/89
	APPD	C.G. ATHERTON	3/8/89
MATERIAL #4 HARD PRE-MILLED BRASS	PRODUCT SPEC	-	
FINISH	APPLICATION SPEC	114-2046	1
WEIGHT	-		

AMP INCORPORATED Harrisburg, Pa. 17105		
NAME TAB, 110 FASTON, MAG-MATE™		
SIZE <b>B</b>	FSCM NO 00779	DRAWING NO 63486
SCALE 4:1	SHEET 1 OF 1	

AMP 1470-15 REV 10-84

11 MAY 1989 09:40:24 F02544 451284-DEPT2127-DWG2122-ULMG-MATE-XJ.300

CUSTOMER DRAWING