

4

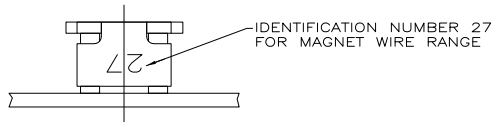
3

2

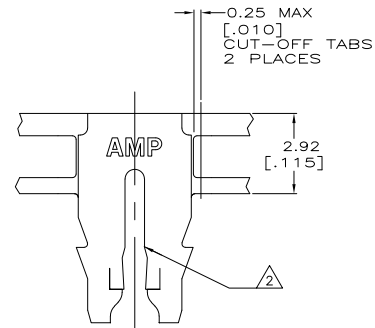
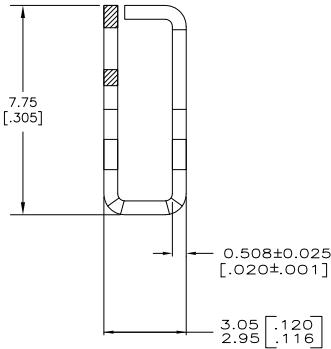
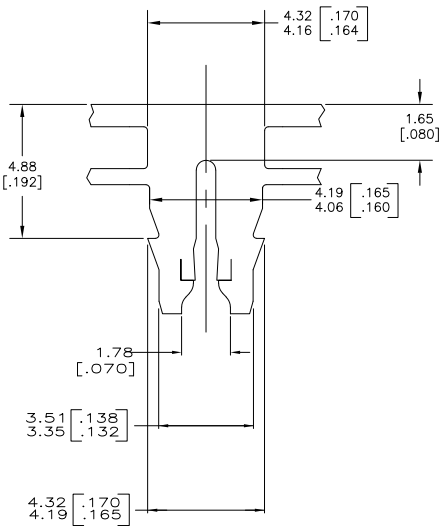
1

THIS DRAWING IS UNPUBLISHED. RELEASED FOR PUBLICATION  
 © COPYRIGHT BY TYCO ELECTRONICS CORPORATION. ALL RIGHTS RESERVED.

LOC	DIST	REVISIONS			
P	LTR	DESCRIPTION	DATE	MIN	APD
AF	50				
		C3	REVISED PER ECR-09-004303	27FEB09	HMR KR



- 1 CONTINUOUS STRIP ON REELS WITH TERMINALS LOCATED ON 5.59±0.08 [.220±.003] CENTERS.
- 2 SLOT TERMINATES EITHER A SINGLE OR DOUBLE MAGNET WIRE OF THE SAME SIZE AND TYPE. COPPER RANGE: 0.91-1.02mm [#19-#17] AWG.
- 3 SPECIAL CAVITY ANVIL HEIGHT REQUIRES 3.30±0.07 [.130±.003]. REF APPLICATION SPEC 114-2046, SEC. 3.2, NOTE 7



REVERSE	1742159-2
STANDARD	1742159-1
REELING	PART NUMBER

THIS DRAWING IS A CONTROLLED DOCUMENT.		DWG: MICHAEL S. FEYER 11AUG2004 CHK: KURT A. RANDOLPH 11AUG2004 APPR: KURT A. RANDOLPH 11AUG2004 NAME:	Tyco Electronics Corporation Harrisburg, PA 17105-3608
DIMENSIONS: INCHES:	DIMENSIONS UNLESS OTHERWISE SPECIFIED: 0 PLG ± .0005 1 PLG ± .0005 2 PLG ± .0005 3 PLG ± .0005 4 PLG ± .0005 ANGLES ± .0005	PRODUCT SPEC: 108-2012 APPLICATION SPEC: 114-2046/3 HEIGHT:	SIZE: A2 CASE CODE: 00779 DRAWING NO: C=1742159 RESTRICTED TO:
MATERIAL: 4M BRASS FINISH: 0.002032 [.000080] MIN TIN PLATE	CUSTOMER DRAWING		SCALE: 10:1 SHEET: 1 of 1 REV: C3

AMP 1471-9 REV 31MM2000

1742159

A