

4

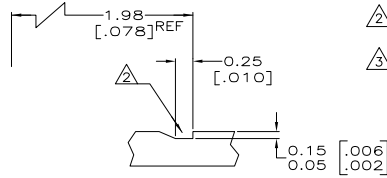
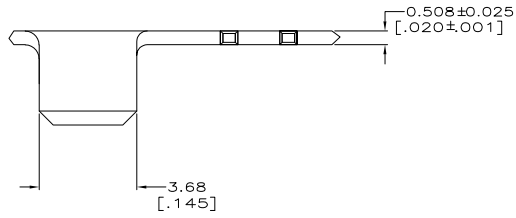
3

2

1

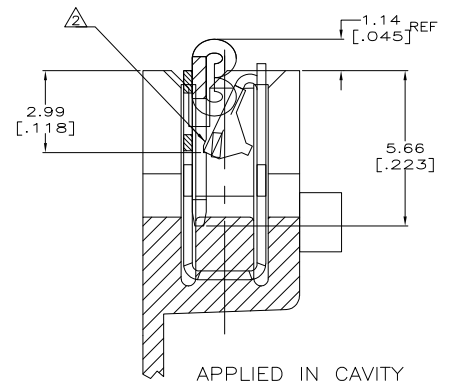
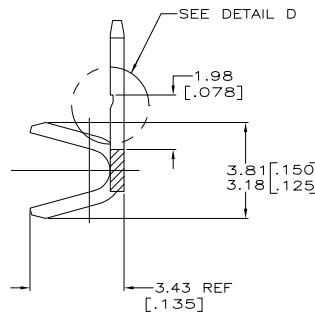
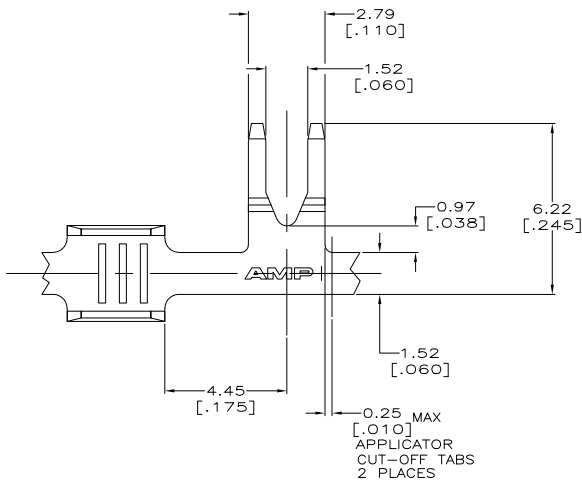
THIS DRAWING IS UNPUBLISHED. RELEASED FOR PUBLICATION  
 © COPYRIGHT BY TYCO ELECTRONICS CORPORATION. ALL RIGHTS RESERVED.

LOC	DIST	REVISIONS				
		P	LR	DATE	BY	APPD
AF	50	D1		REVISED PER ECR-05-015249	28NOV05	MF KR



- 1 CONTINUOUS STRIP ON REELS.
- 2 FOR OPTIMUM RETENTION IN POKE-IN MAG-MATE TERMINALS, THE SERRATION, MUST BE ENGAGED WITH THE EDGE OF THE LEAF.
- 3 PRE-PRODUCTION - F.A.S.R. REQUIRED.

D DETAIL  
 SCALE 25:1  
 ROTATED 90° CW



APPLIED IN CAVITY

4.32 [1.70]	F	2.79 [1.10]	1.75 [0.069]	1.34 [0.16]
			1.65 [0.065]	0.84 [0.18]
			1.50 [0.059]	0.54 [0.20]
STRIP LENGTH ±0.38 ±0.15	TYPE	WIDTH	HEIGHT	WIRE
WIRE BARREL CRIMP				

REVERSE	0.5-1.4mm <sup>2</sup> [#20-#16] AWG	1217406-2
STANDARD	0.5-1.4mm <sup>2</sup> [#20-#16] AWG	1217406-1
REELING	WIRE RANGE	PART NUMBER

THIS DRAWING IS A CONTROLLED DOCUMENT.

DIMENSIONS: mm [INCHES]	TO MANUFACTURE PER: DIMENSIONS: mm [INCHES]	DATE: 08MAY2000	BY: MICHAEL S. TIEBER	DATE: 08MAY2000	BY: KURT A. RANDOLPH
0. PLC ±	1. PLC ±	2. PLC ±	3. PLC ±	4. PLC ±	ANGLE ±
MATERIAL: 082 BRASS		FINISH: 0.002032 [0.00080] MIN TIN		CUSTOMER DRAWING	
APPLICATION SPEC: 114-2060		WEIGHT: -		SIZE: A2	
DRAWING NO: 108-22045		CAGE CODE: -		DRAWING NO: 1217406	
SCALE: 10:1		SHEET: 1 of 1		REV: D1	

TYCO Electronics Corporation  
 Harrisburg, PA 17105-3608

TAB, RIGHT ANGLE, POKE-IN, MAG-MATE

1217406

A