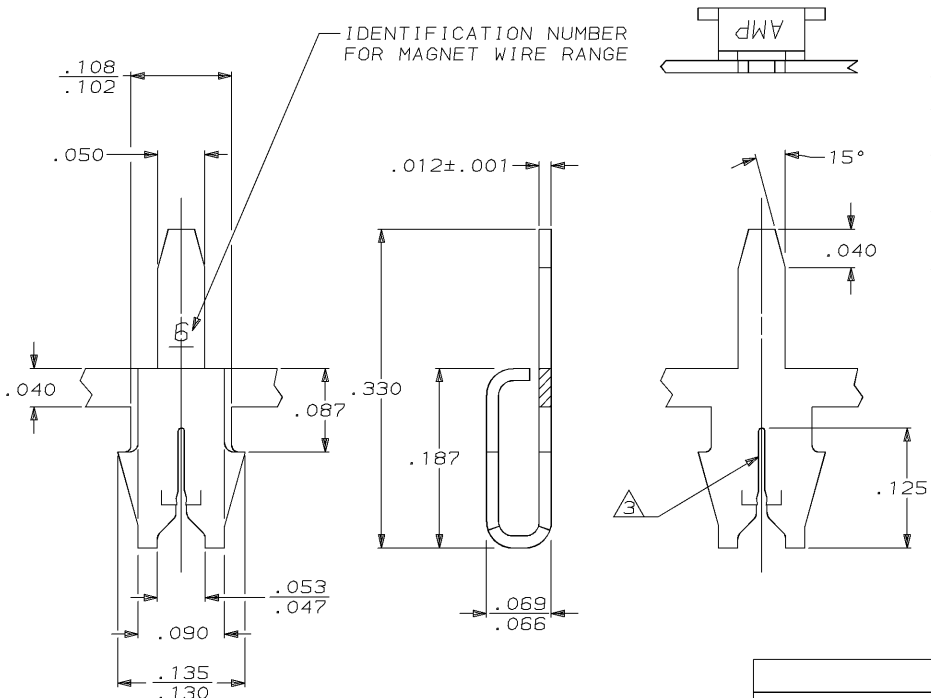


DRAWING MADE IN THIRD ANGLE PROJECTION

THIS DRAWING IS UNPUBLISHED. RELEASED FOR PUBLICATION, 19 .
 © COPYRIGHT 19 BY AMP INCORPORATED. ALL INTERNATIONAL RIGHTS RESERVED.

LOC	DIST	REVISIONS				DATE	APPD
P	F	ZONE	LTR	DESCRIPTION			
AF	50		F	REV PER 0710-0138-96	2MAY96	R6/NN	



- ① MAG-MATE CAVITY SPECIFICATION.
- ② CONTINUOUS STRIP ON REELS WITH TERMINALS LOCATED ON .200 CENTERS.
- ③ SLOT ACCEPTS #30-#28 AWG COPPER MAGNET WIRE.
- ④ REELED FOR APPLICATION THROUGH MAG-MATE INSERTION MACHINE
- ⑤ REELED FOR INSERTION INTO PRINTED CIRCUIT BOARD
- ⑥ 0.002032 [.000080] MIN TIN PER MIL-T-10727 OVER 0.00127 [.000050] MIN NICKEL PER QQ-N-290

⑤	62430-2
④	62430-1
REELING	PART NO

DO NOT SCALE PRINT. UNLESS SPECIFIED DIMENSIONS IN INCHES TOLERANCES ON: 2 PLC DEC ± .010 3 PLC DEC ± .010 ANGLES ± -	DR 11/21/88 M.S. FEHER CHK 11/27/88 JR RUTH APPD 11/28/88 NELSON E. NEFF APPD 11/28/88 C.G. ATHERTON PRODUCT SPEC -
MATERIAL #4 HARD BRASS	FINISH ⑥
APPLICATION SPEC 114-2059	WEIGHT -

AMP AMP INCORPORATED Harrisburg, Pa. 17105	
NAME TERMINAL, POSTED, MAG-MATE™	
SIZE B	FSCM NO 00779
SCALE 10:1	DRAWING NO 62430
SHEET 1 OF 1	

AMP 1470-15 REV 3-87
 02-MAY-96 09:26:45 amp21428 /ws/dept2127/dwg2127/u.maq-mate/u.187

CUSTOMER DRAWING