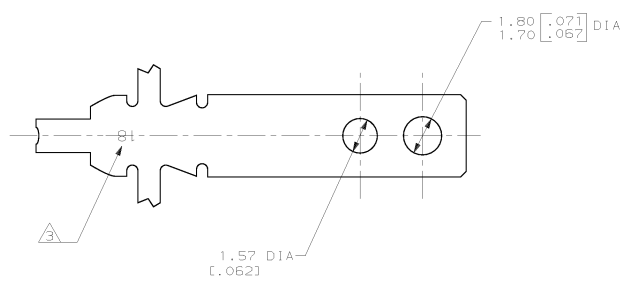
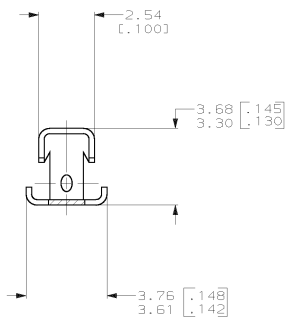
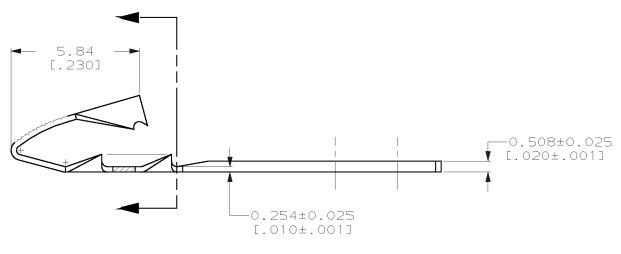
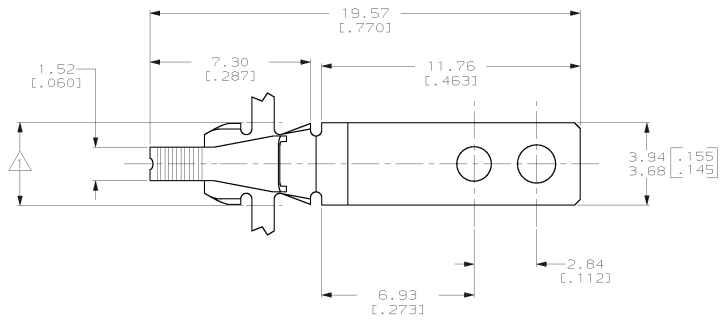


4 3 2 1

THIS DRAWING IS UNPUBLISHED. RELEASED FOR PUBLICATION. BY AMP INCORPORATED. ALL RIGHTS RESERVED.

LOC	DIST	REVISIONS			
F	LTR	DESCRIPTION	DATE	ENR	APPD
B		REVISED MATERIAL PER 0110-0451-97	19NOV97	MF	NN



- ⚠ 3.78 [.149] MAX APPLICATOR CUT-OFF.
- 2 CONTINUOUS STRIP ON REELS WITH TERMINALS LOCATED ON 6.10±0.08 [.240±.003] CENTERS.
- ⚠ 3 IDENTIFICATION NUMBER 18 FOR MAGNET WIRE RANGE.
- ⚠ 4 0.002032 [.000080] MIN TIN PER MIL-T-10727 OVER 0.00127 [.000050] MIN NICKEL UNDERPLATE PER 112-25-2.

0.10-0.25mm [#38-#30] AWG		63956-1				
COPPER MAGNET WIRE RANGE		PART NUMBER				
<table border="0"> <tr> <td>                 THIS DRAWING IS A CONTROLLED DOCUMENT.                  DIMENSIONS: mm (INCHES)                  TOLERANCES UNLESS OTHERWISE SPECIFIED:                  0.0 PLG ±.01                  0.1 PLG ±.02                  0.2 PLG ±.03                  0.3 PLG ±.04                  0.4 PLG ±.05                  ANGLES ±.05             </td> <td>                 DWR MICHAEL S. FEJERS                  DSK GABOR                  S. RICHARD GRZYBOWSKI                  J. P. JELSON, E. NEFF                  NAME                  108-2016                  APPLICATION SPEC: 114-2047                  RETWORK: -                  CUSTOMER DRAWING             </td> <td>                 AMP Incorporated                  Harrisburg, PA 17105-3608  <b>AMP</b>                  TAB, MINI MAG-MATE™                  SIZE: A2                  CASE CODE: 00779                  DRAWING NO: 63956                  SCALE: 8:1                  SHEET: 1 OF 1                  REV: B             </td> </tr> </table>				THIS DRAWING IS A CONTROLLED DOCUMENT. DIMENSIONS: mm (INCHES) TOLERANCES UNLESS OTHERWISE SPECIFIED: 0.0 PLG ±.01 0.1 PLG ±.02 0.2 PLG ±.03 0.3 PLG ±.04 0.4 PLG ±.05 ANGLES ±.05	DWR MICHAEL S. FEJERS DSK GABOR S. RICHARD GRZYBOWSKI J. P. JELSON, E. NEFF NAME 108-2016 APPLICATION SPEC: 114-2047 RETWORK: - CUSTOMER DRAWING	AMP Incorporated Harrisburg, PA 17105-3608 <b>AMP</b> TAB, MINI MAG-MATE™ SIZE: A2 CASE CODE: 00779 DRAWING NO: 63956 SCALE: 8:1 SHEET: 1 OF 1 REV: B
THIS DRAWING IS A CONTROLLED DOCUMENT. DIMENSIONS: mm (INCHES) TOLERANCES UNLESS OTHERWISE SPECIFIED: 0.0 PLG ±.01 0.1 PLG ±.02 0.2 PLG ±.03 0.3 PLG ±.04 0.4 PLG ±.05 ANGLES ±.05	DWR MICHAEL S. FEJERS DSK GABOR S. RICHARD GRZYBOWSKI J. P. JELSON, E. NEFF NAME 108-2016 APPLICATION SPEC: 114-2047 RETWORK: - CUSTOMER DRAWING	AMP Incorporated Harrisburg, PA 17105-3608 <b>AMP</b> TAB, MINI MAG-MATE™ SIZE: A2 CASE CODE: 00779 DRAWING NO: 63956 SCALE: 8:1 SHEET: 1 OF 1 REV: B				