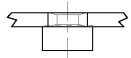


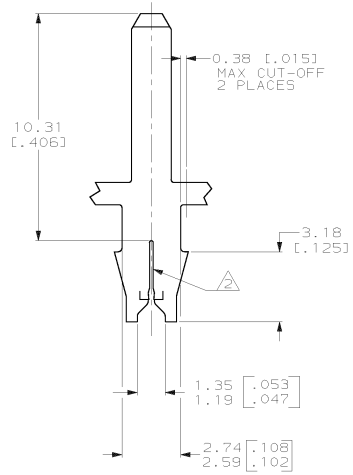
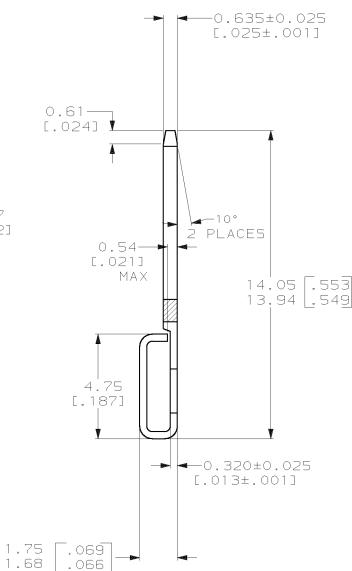
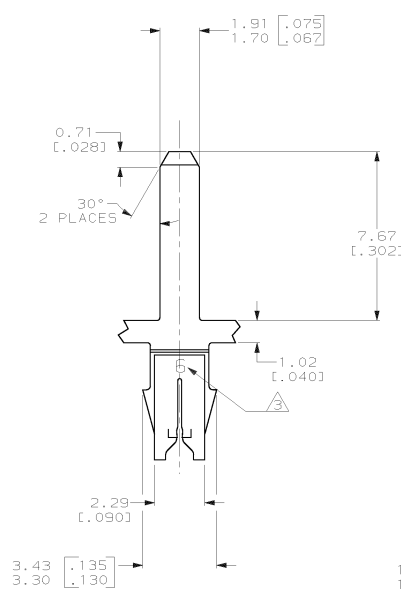
4 3 2 1

THIS DRAWING IS UNCLASSIFIED  
 (C) COPYRIGHT IS BY AMP INCORPORATED. ALL RIGHTS RESERVED.

REVOLUTIONS		DATE	BY	APP'D
AF	50			
F	LTR			
0	DRAWN PER REQUEST	26MAR02	MF	KR



1 CONTINUOUS STRIP ON REELS WITH TERMINALS LOCATED ON 5.08±0.08 [.200±.003] CENTERS.  
 △ SLOT ACCEPTS 0.25mm [#30] AWG COPPER MAGNET WIRE.  
 △ IDENTIFICATION NUMBER 6 FOR WIRE SLOT SIZE.



1217405-1  
 PART NUMBER

THIS DRAWING IS A CONTROLLED DOCUMENT		DW: MICHAEL S. FEJES (26MAR2002) CHK: KURT A. RANDOLPH (26MAR2002) NAME: KURT A. RANDOLPH (26MAR2002)	AMP Incorporated Harrisburg, PA 17105-3608
DIMENSIONS: mm (INCHES) UNLESS OTHERWISE SPECIFIED	PRODUCT SPEC: 108-2012 APPLICATION SPEC: 114-2069 REPEAT: -	TITLE: TAB, 1.80(.071) SERIES, 187 SERIES MAG-MATE™ CASE CODE: A200779 DRAWING NO: 1217405	RESTRICTED TO: - SCALE: 8:1 SHEET: 1 OF 1 REV: 0
MATERIAL: H04 PRE-MILLED BRASS FINISH: 0.002032(1.000080) MIN TIN PLATE	CUSTOMER DRAWINGS		