

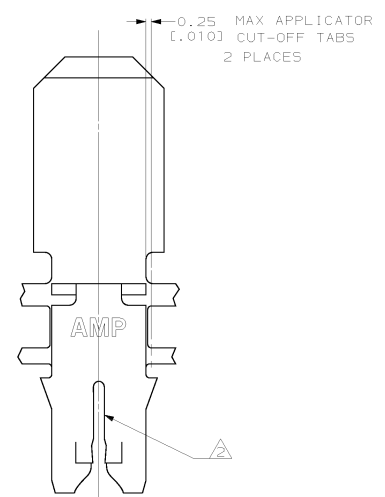
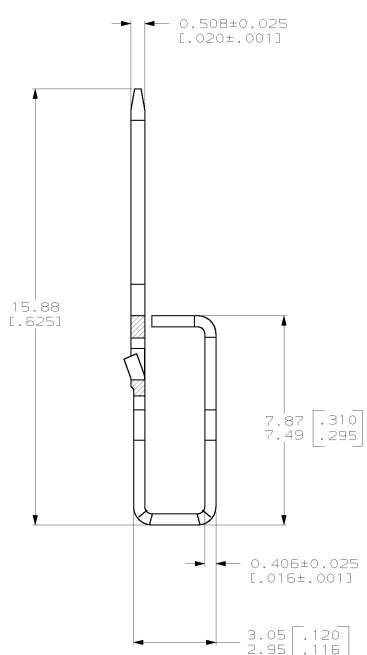
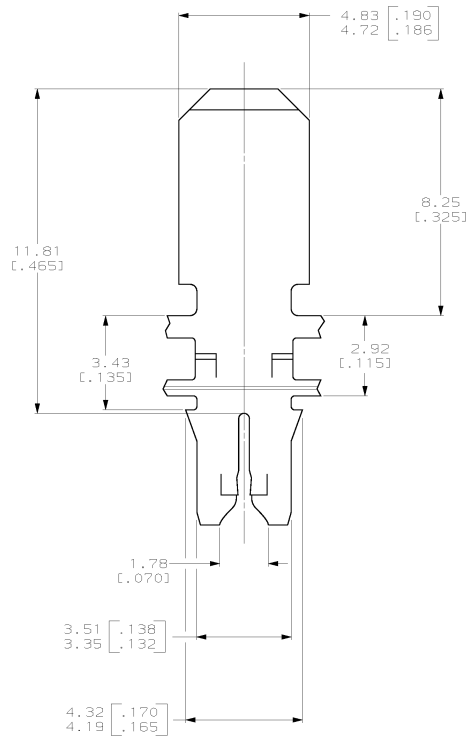
4 3 2 1

THIS DRAWING IS UNPUBLISHED.
 © COPYRIGHT 19 BY AMP INCORPORATED. ALL RIGHTS RESERVED.

LOC	DIST	REVISIONS			
F	LTR	DESCRIPTION	DATE	ENR	APPD
AF	50				
	D	REVISED PER DG3A-0208-02	17MAY02	MF	KR



- 1 CONTINUOUS STRIP ON REELS WITH TERMINALS LOCATED ON 5.59±0.08 [.220±.003] CENTERS. SLOT TERMINATES A SINGLE MAGNET WIRE ONLY. COPPER RANGE: 0.57-0.81mm [#23-#20] AWG.
- CONTACT LUBE OVER 0.00127 [.000050] MIN NICKEL PLATE.



1217493-1
PART NUMBER

THIS DRAWING IS A CONTROLLED DOCUMENT.		DWG MICHAEL S. FEHNER 01SEP2000 CHK KURT A. RANDOLPH 21SEP2000 APPD KURT A. RANDOLPH 01SEP2000	AMP AMP Incorporated Harrisburg, PA 17105-3608
DIMENSIONS: mm (INCHES)	DIMENSIONS UNLESS OTHERWISE SPECIFIED: 0 PLG ±.01 1 PLG ±.01 2 PLG ±.01 3 PLG ±.01 4 PLG ±.01 ANGLES ±.5°	NAME 108-2012 APPLICATION SPEC 114-2046 RETWORK - CUSTOMER DRAWING	TERMINAL, TAB, 4.75 [.187] SERIES, 300 SERIES MAG-MATE™ CASE CODE DRAWING NO. A200779-1217493 SCALE 10:1 SHEET 1 OF 1 REV 0
MATERIAL 4M PRE-MILLED BRASS	FINISH -	RESTRICTED TO	