

4

3

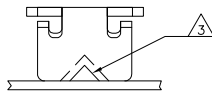
2

1

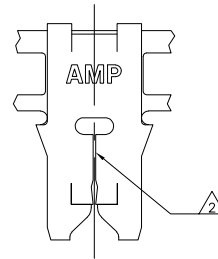
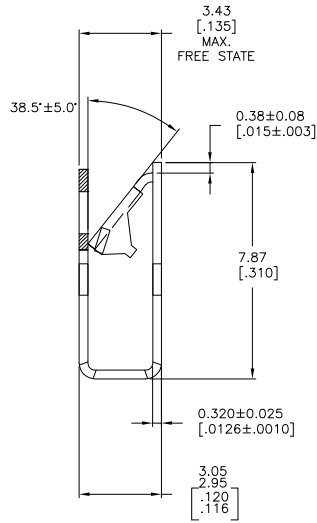
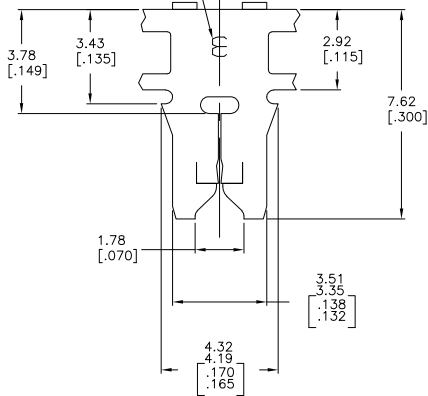
THIS DRAWING IS UNPUBLISHED. RELEASED FOR PUBLICATION  
 © COPYRIGHT BY TYCO ELECTRONICS CORPORATION. ALL RIGHTS RESERVED.

LOC		DIBT		REVISIONS			
		F	LR	DESCRIPTION	DATE	BY	APP'D
G	01						
		A1		REVISED PER ECR-06-007952	07APR06	MF	KR

- CONTINUOUS STRIP ON REELS WITH TERMINALS LOCATED ON  $5.59 \pm 0.08$  [.220 ± .003] CENTERS
- SLOT TERMINATES EITHER A SINGLE OR DOUBLE MAGNET WIRE OF THE SAME SIZE AND TYPE. COPPER RANGE: 0.16-0.18mm [#34-#33]
- POKE-IN ACCEPTS A 0.5-0.9mm<sup>2</sup> [#20#18] AWG SOLID OR FUSED STRANDED LEAD WIRE.



IDENTIFICATION NUMBER 3 FOR MAGNET WIRE RANGE



1742379-1  
PART NUMBER

THIS DRAWING IS A CONTROLLED DOCUMENT.		DRW: M.S. FEHER 16JAN2006		Tyco Electronics Corporation Harrisburg, PA 17105-3608	
DIMENSIONS: mm [INCHES]		CHK: K.A. RANDOLPH 16JAN2006		NAME: K.A. RANDOLPH	
TOLERANCES UNLESS OTHERWISE SPECIFIED:		APCD: K.A. RANDOLPH 16JAN2006	PRODUCT SPEC: 108-2012		
0 PLC ± .010		APPLICATION SPEC: 114-2046	SIZE: A2	CAGE CODE: 00779	DRAWING NO: C=1742379
1 PLC ± .025(010)		FINISH: 0.002032 [000080] MIN TIN PLATE	RESTRICTED TO:	-	
2 PLC ± .050		MATERIAL: 4M BRASS	CUSTOMER DRAWING	SCALE: 10:1	SHEET: 1 of 1
3 PLC ± .120					REV: A1
4 ANGLES ± .010					

AMP 1471-9 REV 31MM2000

1742379

A