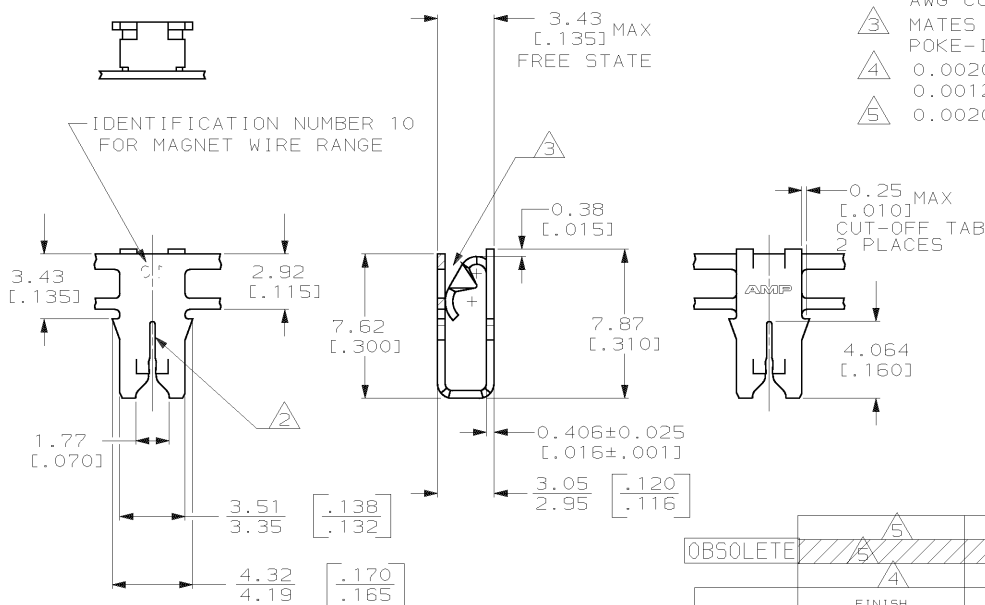


DRAWING MADE IN THIRD ANGLE PROJECTION

THIS DRAWING IS UNPUBLISHED. RELEASED FOR PUBLICATION, 19
 © COPYRIGHT 19 BY AMP INCORPORATED. ALL INTERNATIONAL RIGHTS RESERVED.

LOC	DIST	REVISIONS				
P	F	ZONE	LTR	DESCRIPTION	DATE	APPD
AF	50			G REVISED PER 063A-0694-01	20DEC01	MF-KR

- 1 CONTINUOUS STRIP ON REELS WITH TERMINALS LOCATED ON 5.59±0.08 [.220±.003] CENTERS.
- 2 SLOT ACCEPTS 0.36-0.57 mm [#27-#23] AWG COPPER MAGNET WIRE.
- 3 MATES WITH STANDARD MAG-MATE STYLED POKE-IN TAB TERMINAL.
- 4 0.002032 [.000080] MIN TIN OVER 0.00127 [.000050] MIN NICKEL.
- 5 0.002032 [.000080] MIN TIN.



FINISH	MATERIAL	PART NO
	HO4 PHOS. BRONZE	63551-3
5	4M BRASS	63551-2
4	4M BRASS	63551-1
5	HO4 PHOS. BRONZE	63551-3
4	4M BRASS	63551-1

DO NOT SCALE PRINT. UNLESS SPECIFIED DIMENSIONS IN mm [INCHES] TOLERANCES ON: 2. PLC DEC ± 3. PLC DEC ± 0.25 (.010) ANGLES ± -	DR 8/21/89 MICHAEL S. FEHER CHK 8/23/89 JR RUTH APPD 8/23/89 DK DECKER APPD 8/23/89 TL SHUTTER	AMP INCORPORATED Harrisburg, Pa. 17105	
MATERIAL SEE TABLE	PRODUCT SPEC 108-2012	NAME SPECIAL LEAF CONTACT, 300 SERIES MAG-MATE™	
FINISH SEE TABLE	APPLICATION SPEC 114-2046	SIZE B	CAGE CODE 00779
	WEIGHT -	DRAWING NO 63551	SHEET 1 OF 1

METRIC