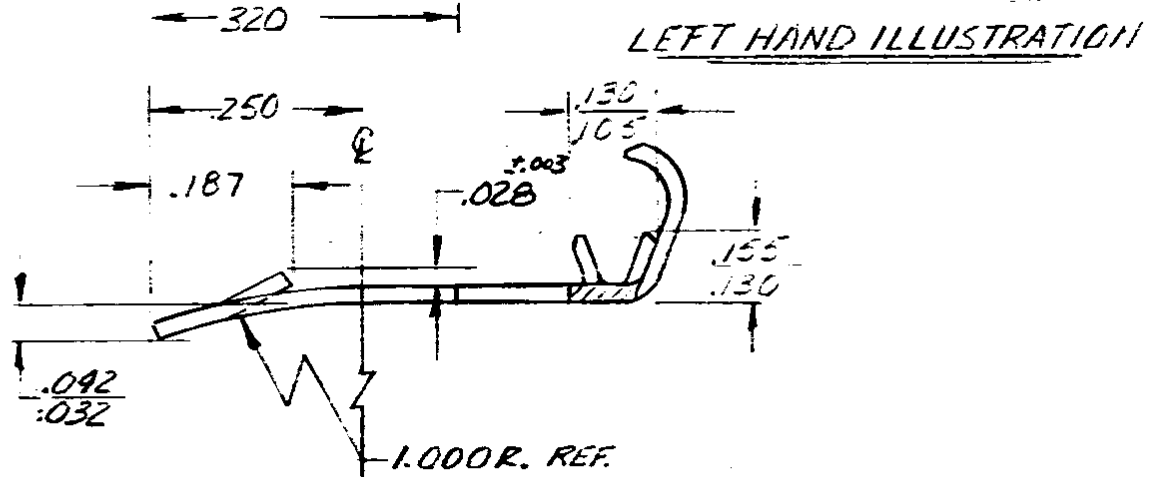
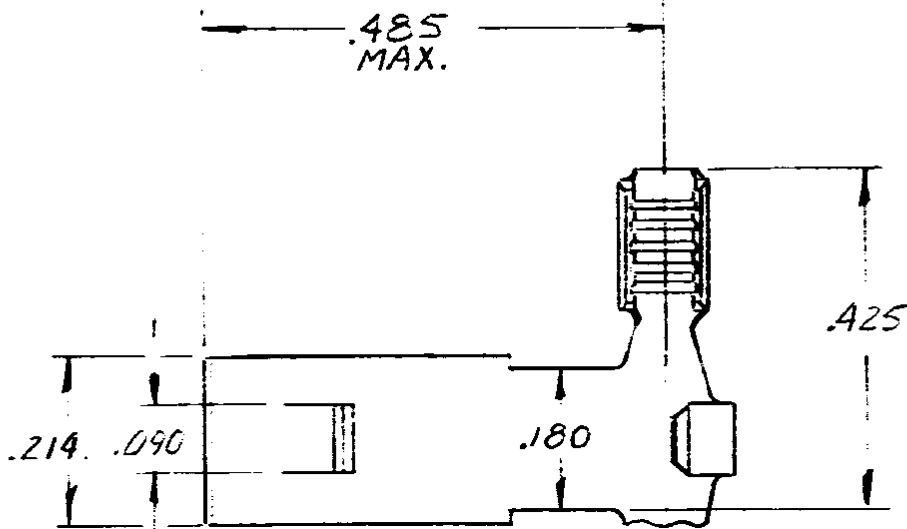


NUMBER
61148



LEFT HAND ILLUSTRATION

WIRE SIZE CMA.	INSULATION RANGE	MATERIAL AND FINISH	TERMINAL NO
700-240G	.095-.115	.018 PHOS. BRONZE - NONE	61148-1
		.018 PHOS. BRONZE - TIN	61148-2

CONTINUES STRIP ON REELS

DIMENSIONS IN INCHES. DO NOT SCALE PRINT.

J	OBSELETE - 2 N-1690	M.F.	6Y	4-1-66
H	RELEASED P.A.K	RLT	6Y	7-7-66
G	REMOVED STOCK A-3581	6Y46		7/14/66
F	REVISED PER 2478	BB		ONE 8-7-66
E	REVISED PER 2431	BB	J.C.S	5-29-66
D	REVISED PRINT DIST.	BB	8/4	8-4-66
C	REMOVED CHSH NDS.	EMD	8/4	8/4/66
B	REVISED PRINTING	EMD	8/4	8/4/66
A	ADDED .092 .032	M.F.S.E.M.P	8/4	8/4/66
C	RELEASED	M.B.S.S	8/4	8/4/66
LTR	REVISION RECORD	DR	CHK	DATE

©1967 BY AMP INCORPORATED. ALL RIGHTS RESERVED. AMP PRODUCTS COVERED BY PATENTS AND/OR PATENTS PENDING.

CUSTOMER COPY
REFERENCE ONLY

MATERIAL AND FINISH



— H —

CLASS — H —

WIRE — RANGE — INSULATION

TYPE — H —

TOLERANCE EXCEPT AS NOTED ± .015 ± 1°

SCALE — H —

LOC AF

NO 61148

REV J

NAME AMPLIVAR BRUSH CONTACT

DR	1-26-67	DE	S. F. NBRK	1-31-67
CHK	L. F. Duff	DR	C. H. Jernold	1/31/67