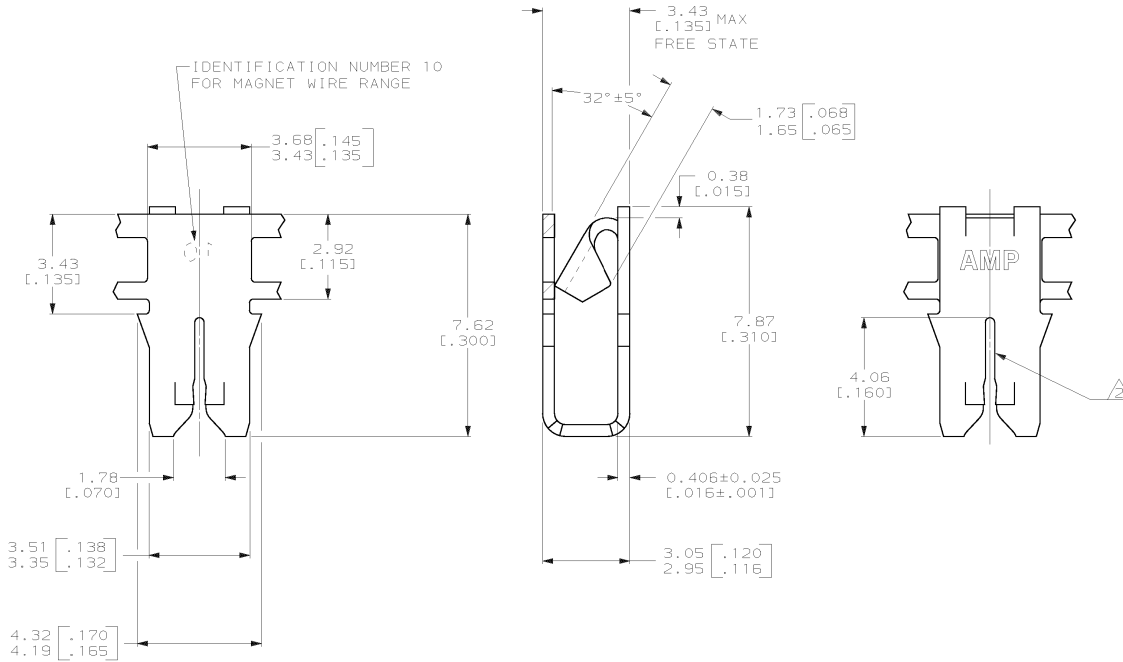
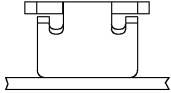


THIS DRAWING IS UNPUBLISHED. RELEASED FOR PUBLICATION 19
 © COPYRIGHT 19 BY AMP INCORPORATED. ALL INTERNATIONAL RIGHTS RESERVED.

LOC		DIST		ZONE		LTR		REVISIONS	
AF	50	P	F					C	REVISED PER 063A-0451-00
									DATE
									24JUL00
									APPO
									HF-KR

- 1 CONTINUOUS STRIP ON REELS WITH TERMINALS LOCATED ON 5.59 ± 0.08 [1.220 ± .003] CENTERS.
- △ SLOTTED ACCEPTS 0.36-0.57mm [#27-#23] AWG COPPER MAGNET WIRE. SINGLE OR DOUBLE WIRE OF THE SAME SIZE AND TYPE.
- △ REELED ON PLASTIC REELS WITHOUT PAPER.



		SPLICE FREE		SPLICE		REELING		PART NO	
								63754-1	
DO NOT SCALE PRINT. UNLESS SPECIFIED DIMENSIONS IN MM (INCHES) TOLERANCES ON ± 2 PL C DEC ± 0.25 (.010) 3 PL C DEC ± - ANGLES ± -		DR 10/22/93 MICHAEL S. FEHER		AMP		AMP Incorporated		Harrisburg, PA 17105-3608	
MATERIAL 4M BRASS		CHK 10/25/93 JEFF R. RUTH		NAME		TERMINAL, POKE-IN, 300 SERIES MAG-MATE™			
FINISH 0.002032 [.000080] MIN TIN PLATE		APPD 10/26/93 NELSON E. NEFF		PRODUCT SPEC 108-2012		SIZE C		CAGE CODE 00779	
THIS DRAWING IS A CONTROLLED DOCUMENT FOR AMP INCORPORATED. IT IS SUBJECT TO CHANGE AND THE CONTROLLING ENGINEERING ORGANIZATION SHOULD BE CONTACTED FOR THE LATEST REVISION.		APPD 10/26/93 TERRY L. SHUTTER		APPLICATION SPEC 114-2046		DRAWING NO C-63754		SHEET 1 OF 1	
		WEIGHT -		SCALE 10:1					