

4

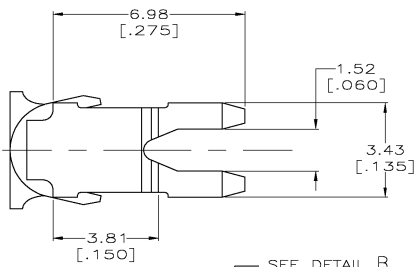
3

2

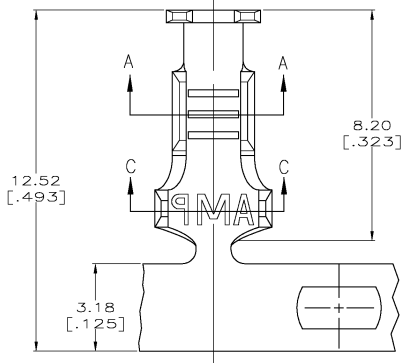
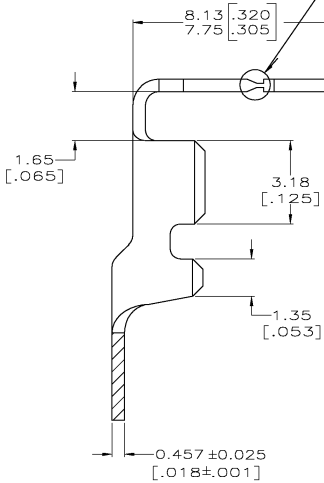
1

THIS DRAWING IS UNPUBLISHED. RELEASED FOR PUBLICATION  
 © COPYRIGHT BY TYCO ELECTRONICS CORPORATION. ALL RIGHTS RESERVED.

LOC	DIST	REVISIONS		
P	LTR	DESCRIPTION	DATE	OWN
AF	50			
L		REVISED PER 063A-0750-02	18DEC02	MF KR

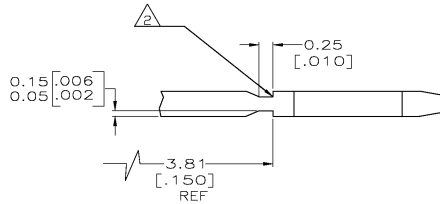


SEE DETAIL B

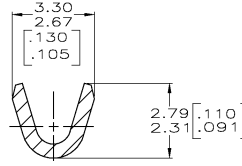


1 CONTINUOUS STRIP ON REELS

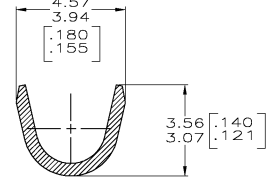
△ FOR OPTIMUM RETENTION IN POKE-IN TYPE MAG-MATE TERMINALS, THE SERRATION AS SHOWN MUST BE ENGAGED WITH THE EDGE OF THE LEAF



DETAIL B  
SCALE 20:1



SECTION A-A



SECTION C-C

1.52-2.54 DIA [.060-.100]	0.3-0.8mm <sup>2</sup> [#22-#18]	62896-1 PART NUMBER
INSULATION RANGE		WIRE RANGE

THIS DRAWING IS A CONTROLLED DOCUMENT.		DWN J. GRZYBOWSKI 30JUL98 CHK V. S. FIFER 30JUL98 APD G. PORTA 30JUL98 PRODUCT SPEC 108-22045 APPLICATION SPEC 114-2050 HEIGHT - CUSTOMER DRAWING		<b>Tyco Electronics</b> Tyco Electronics Corporation Horshurst, PA 17105-3608 TAB, POKE-IN, MAG-MATE™		62896-1 PART NUMBER	
DIMENSIONS: MW 0 P.L.C. ± - 1 P.L.C. ± - 2 P.L.C. ± - 3 P.L.C. ± - 4 P.L.C. ± - ANGLES ± - FINISH 0.000381 [.000015] MIN PRE-TIN PLATE		SEE CASE CODE DRAWING NO. A2 00779 C-62896 RESTRICTED TO -		SCALE 10:1 SHEET 1 OF 1 REV L			

AMP 1471-9 REV 31 MAR 2000

62896

A