

4

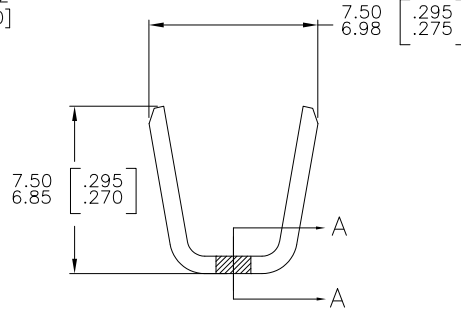
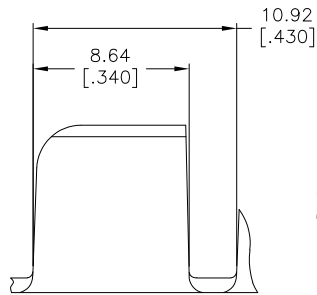
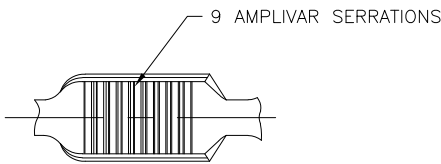
3

2

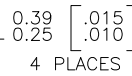
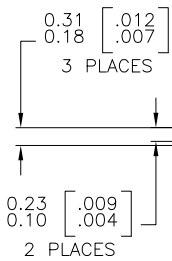
1

THIS DRAWING IS UNPUBLISHED. RELEASED FOR PUBLICATION  
 © COPYRIGHT - BY TYCO ELECTRONICS CORPORATION. ALL INTERNATIONAL RIGHTS RESERVED.

LOC	DIST	REVISIONS				
P	LTR	DESCRIPTION	DATE	DWN	APVD	
	D2	REVISED PER ECR-10-007904	16APR10	HMR	GP	



- CONTINUOUS STRIP ON REELS.
- DIMENSIONS IN BRACKETS ARE IN INCHES.
- WIRE RANGE: 10000-22000 CMA.
- CRIMP WIDTH: .250 F TYPE  
 CRIMP HEIGHT  $(\pm .002) = (\text{TOTAL CMA} + 34,100) / 428,500$   
 GENERAL APPLICATION GUIDELINES MUST BE FOLLOWED AS SPECIFIED IN CATALOG #82221  
 FOR APPLICATOR INFORMATION CALL: 1-800-722-1111  
 FOR PRODUCT INFORMATION CALL: 1-800-522-6752



SECTION A-A  
 SCALE 20:1

62311-2  
 PART NO

THIS DRAWING IS A CONTROLLED DOCUMENT.		DWN 13NOV06 RAGHAVENDRA	Tyco Electronics Corporation Harrisburg, PA 17105-3608	
DIMENSIONS: mm [INCHES]		CHK - G.D.PORTA	NAME	
TOLERANCES UNLESS OTHERWISE SPECIFIED:		APVD - G.D.PORTA	PRODUCT SPEC	
0 PLC ± -		APPLICATION SPEC		
1 PLC ± -		RESTRICTED TO		
2 PLC ± -		SIZE A3	CAGE CODE 00779	DRAWING NO 62311
3 PLC ± 0.38 [.015]		CUSTOMER DRAWING		
4 PLC ± -		SCALE 6:1	SHEET 1 of 1	REV D2
ANGLES ± 1° 0'				
MATERIAL REF 0.76±0.05 [.030±.002] BRASS	FINISH TIN PLATE			