

4

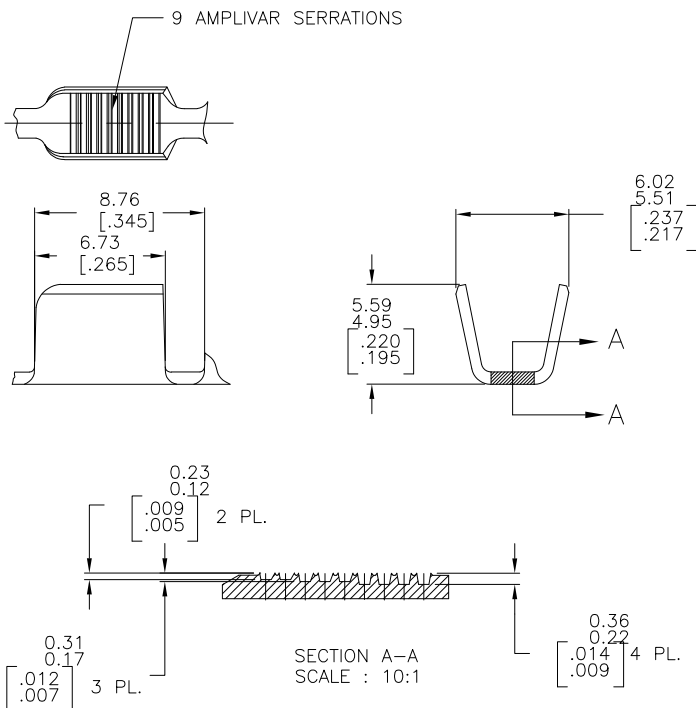
3

2

1

THIS DRAWING IS UNPUBLISHED. RELEASED FOR PUBLICATION  
 © COPYRIGHT - BY TYCO ELECTRONICS CORPORATION. ALL RIGHTS RESERVED.

LOC	DIST	REVISIONS			
P	LTR	DESCRIPTION	DATE	DWN	APVD
	D2	REVISED PER ECR-10-007904	16APR10	HMR	GP



1. PRODUCT PROVIDED IN STRIP FORM ON REELS; BREAKS MAY BE PRESENT.
2. DIMENSIONS IN BRACKETS ARE IN INCHES.
3. CRIMP WIDTH: .180 F (AMPLIVAR TYPE)  
 CRIMP HEIGHT (±.002)=(TOTAL CMA+20,600)/310,500  
 GENERAL APPLICATION GUIDELINES MUST BE FOLLOWED AS SPECIFIED IN CATALOG #82221  
 FOR APPLICATOR INFORMATION CALL : 1-800-722-1111  
 FOR PRODUCT INFORMATION CALL : 1-800-522-6752

62309-2  
PART NO

THIS DRAWING IS A CONTROLLED DOCUMENT.		DWN RAGHAVENDRA 31JAN06	Tyco Electronics Corporation Harrisburg, Pa 17105-3608	
DIMENSIONS: mm [INCHES]		CHK G.D.PORTA	NAME SPLICE, AMPLIVAR 5000-10000 CMA	
TOLERANCES UNLESS OTHERWISE SPECIFIED:		APVD G.D.PORTA	PRODUCT SPEC	
0 PLC ± -		APPLICATION SPEC		
1 PLC ± -		114-2003		
2 PLC ± 0.38[.015]		WEIGHT -		
3 PLC ± -		SIZE A3	CAGE CODE 00779	DRAWING NO C-62309
4 PLC ± -		RESTRICTED TO -		
ANGLES ± 1°		CUSTOMER DRAWING		
MATERIAL REF 0.64±0.03 [.025±.001] BRASS		SCALE 5:1 SHEET 1 OF 1 REV D2		
FINISH TIN PL.				

METRIC