

4

3

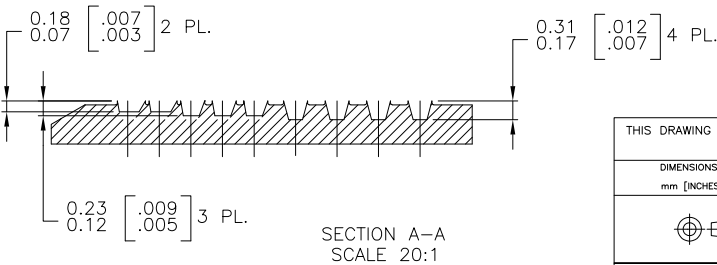
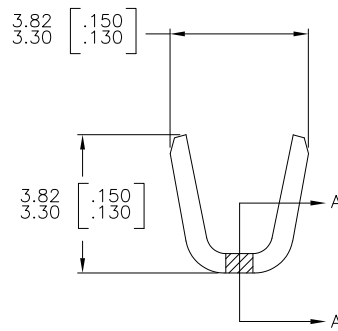
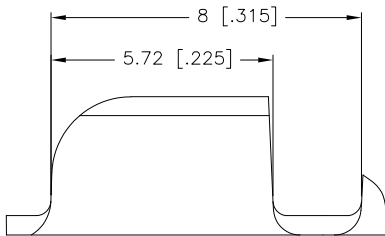
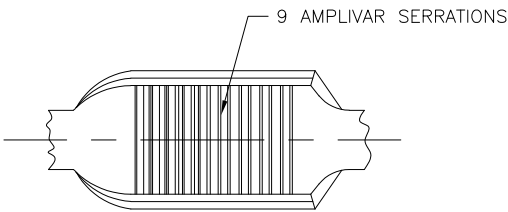
2

1

THIS DRAWING IS UNPUBLISHED. RELEASED FOR PUBLICATION  
 © COPYRIGHT - BY TYCO ELECTRONICS CORPORATION. ALL RIGHTS RESERVED.

LOC	DIST	REVISIONS			
P	LTR	DESCRIPTION	DATE	DWN	APVD
AF	50	C2	REVISED PER ECR-10-007904	16APR10	HMR GP

1. PRODUCT PROVIDED IN STRIP FORM ON REELS; BREAKS MAY BE PRESENT.
2. DIMENSIONS IN BRACKETS ARE IN INCHES.
3. CRIMP WIDTH: .110 F (AMPLIVAR TYPE)  
 CRIMP HEIGHT ( $\pm .002$ ) = (TOTAL CMA + 9360) / 190,400  
 GENERAL APPLICATION GUIDELINES MUST BE FOLLOWED AS SPECIFIED IN CATALOG # 82221  
 FOR APPLICATOR INFORMATION CALL: 1-800-722-1111  
 FOR PRODUCT INFORMATION CALL: 1-800-522-6752



METRIC

62304-2  
PART NO.

THIS DRAWING IS A CONTROLLED DOCUMENT.		DWN RAGHAVENDRA 27JAN06	Tyco Electronics Corporation Harrisburg, Pa 17105-3608	
DIMENSIONS: mm [INCHES]	0 PLC ± - 1 PLC ± - 2 PLC ± 0.38[.015] 3 PLC ± - 4 PLC ± - ANGLES ± 1°	CHK G.D.PORTA	NAME G.D.PORTA	
TOLERANCES UNLESS OTHERWISE SPECIFIED:		APVD G.D.PORTA	PRODUCT SPEC	
MATERIAL REF 0.51±0.03 [.020±.001] BRASS		FINISH TIN PL.	APPLICATION SPEC 114-2003	PRODUCT SPEC
		WEIGHT -	SIZE A3	CAGE CODE 00779
		DRAWING NO 62304		RESTRICTED TO -
		CUSTOMER DRAWING		SCALE 10:1 SHEET 1 OF 1 REV C2