

4

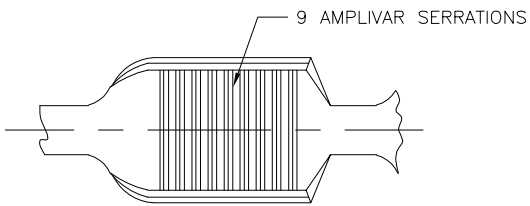
3

2

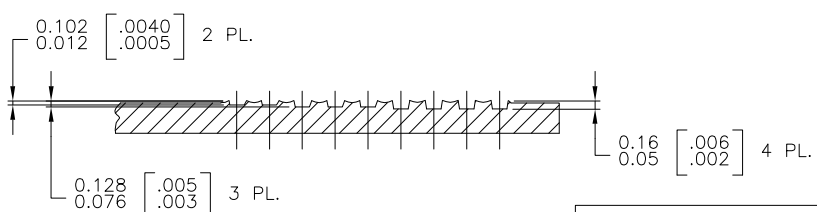
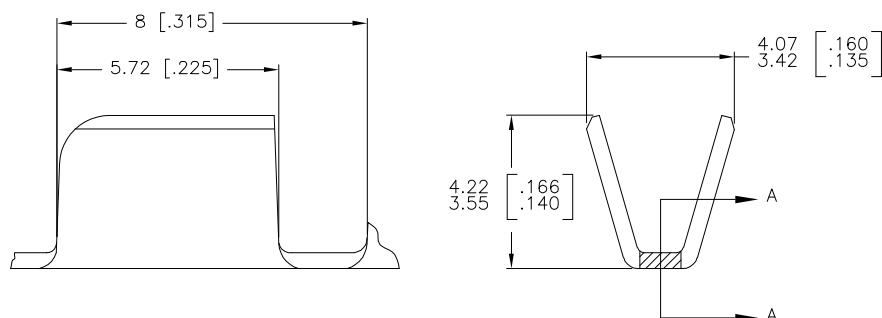
1

THIS DRAWING IS UNPUBLISHED. RELEASED FOR PUBLICATION  
 © COPYRIGHT - BY TYCO ELECTRONICS CORPORATION. ALL RIGHTS RESERVED.

LOC	DIST	REVISIONS					
AF	50	P	LTR	DESCRIPTION	DATE	DWN	APVD
		E1		ECR-06-003925 (REDRAWN IN AUTOCAD)	27JAN06	HMR	GDP



1. PRODUCT PROVIDED IN STRIP FORM ON REELS; BREAKS MAY BE PRESENT.
2. DIMENSIONS IN BRACKETS ARE IN INCHES.
3. PRELIMINARY—NOT FOR PRODUCTION.
4. CRIMP WIDTH: .110 F (AMPLIVAR TYPE)  
 CRIMP HEIGHT  $(\pm .002) = (\text{TOTAL CMA} + 8770) / 191,200$   
 GENERAL APPLICATION GUIDELINES MUST BE FOLLOWED AS SPECIFIED IN CATALOG #82221  
 FOR APPLICATOR INFORMATION CALL: 1-800-722-1111  
 FOR PRODUCT INFORMATION CALL: 1-800-522-6752



SECTION A-A  
 SCALE : 20:1

**METRIC**

THIS DRAWING IS A CONTROLLED DOCUMENT.		OWN RAGHAVENDRA	27JAN06	Tyco Electronics Corporation Harrisburg, PA 17105-3608	
DIMENSIONS: mm [NCHES]		CHK G.D.PORTA		NAME G.D.PORTA	
TOLERANCES UNLESS OTHERWISE SPECIFIED:		APVD G.D.PORTA		PRODUCT SPEC -	
0 PLC ± -		APPLICATION SPEC 114-2003		SIZE A3	
1 PLC ± -		WEIGHT -		CAGE CODE 00779	
2 PLC ± 0.38[.015]		CUSTOMER DRAWING		DRAWING NO C=62307	
3 PLC ± -		MATERIAL 0.41[.016] BRASS		RESTRICTED TO -	
4 PLC ± -		FINISH TIN PL.		SCALE 10:1	
5 PLC ± -				SHEET 1 of 1	
6 ANGLES ± 1°				REV E1	