

4

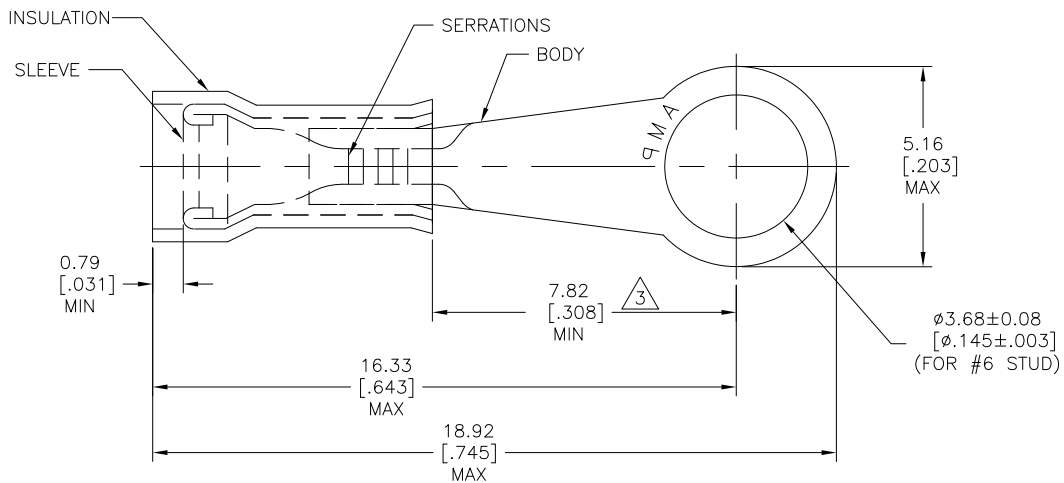
3

2

1

THIS DRAWING IS UNPUBLISHED. RELEASED FOR PUBLICATION  
 © COPYRIGHT - BY TYCO ELECTRONICS CORPORATION. ALL INTERNATIONAL RIGHTS RESERVED.

LOC	DIST	REVISIONS			
P	LTR	DESCRIPTION	DATE	DWN	APVD
G	14				
G1		REVISED PER ECR-10-004379	08MAR10	HMR	JR



1 FOR 1.27[.050] TO 2.08[.082] WIRE INSULATION DIA

2 TONGUE MATERIAL THK 0.46±0.05[.018±.002]

3 APPLIES FROM EDGE OF METAL BARREL TO CENTERLINE OF STUD HOLE.

QTY	DESCRIPTION	MATERIAL & FINISH	PART NO
1	WIRE TERMINAL	BODY: COPPER ASTM-B152 TIN PL ASTM-B545 SLEEVE: COPPER ASTM-B152 INSULATION: NYLON COLOR: YELLOW	321617

THIS DRAWING IS A CONTROLLED DOCUMENT.		DWN RAGHAVENDRA 08MAR10	Tyco Electronics Corporation Harrisburg, PA 17105-3608	
DIMENSIONS: mm [INCHES]		CHK JEFF RUTH 08MAR10	APVD TOM MICHIELUTTI 08MAR10	
TOLERANCES UNLESS OTHERWISE SPECIFIED:		NAME: TOM MICHIELUTTI		
0 PLC ± -		PRODUCT SPEC		
1 PLC ± -		APPLICATION SPEC		
2 PLC ± -		SIZE: A3		
3 PLC ± 0.13[.005]		CAGE CODE: 00779		
4 PLC ± -		DRAWING NO: 321617		
ANGLES ± .5°		RESTRICTED TO: -		
MATERIAL: SEE TABLE	FINISH: SEE TABLE	WEIGHT: -	SCALE: 10:1	SHEET: 1 OF 1
CUSTOMER DRAWING		REV: G1		