

4

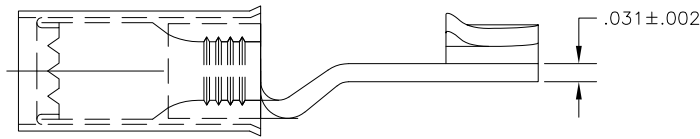
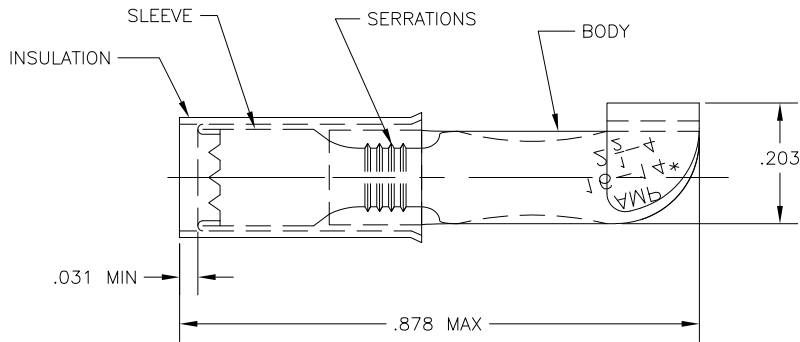
3

2

1

THIS DRAWING IS UNPUBLISHED. RELEASED FOR PUBLICATION
 © COPYRIGHT - By - ALL RIGHTS RESERVED.

LOC	DIST	REVISIONS			
P	LTR	DESCRIPTION	DATE	DWN	APVD
G	02	REVISED PER ECO-11-004917	11MAR11	RK	HMR



100	LOOSE PIECE, BOX	INSULATION: NYLON, COLOR BLUE SLEEVE: COPPER PER ASTM B152 BODY: COPPER PER ASTM B152 TIN PLATE PER ASTM B545	8-32448-1
4000	32448 ON TAPE		2-32448-1
1	WIRE TERMINAL		1 32448
QTY	DESCRIPTION	MATERIAL	PART NO

THIS DRAWING IS A CONTROLLED DOCUMENT.

DIMENSIONS: INCHES	TOLERANCES UNLESS OTHERWISE SPECIFIED:	DWN jr_ruth 13MAR09	TE Connectivity NAME TOM MICHIELUTTI PRODUCT SPEC APPLICATION SPEC WEIGHT SIZE CAGE CODE DRAWING NO RESTRICTED TO
	0 PLC ± -	CHK TOM MICHIELUTTI 13MAR09	
	1 PLC ± -	APVD TOM MICHIELUTTI 13MAR09	
	2 PLC ± -		
MATERIAL SEE TABLE	FINISH SEE TABLE		3 00779 C-32448 SCALE 8:1 SHEET 1 OF 1 REV G2

CUSTOMER DRAWING