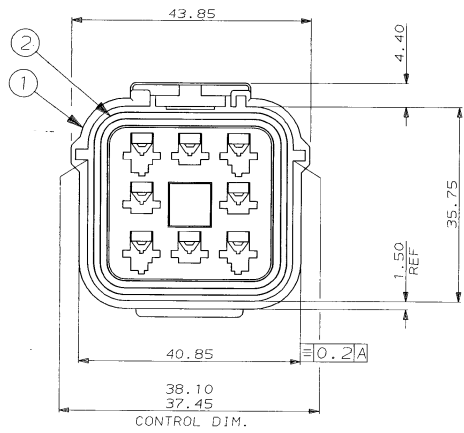
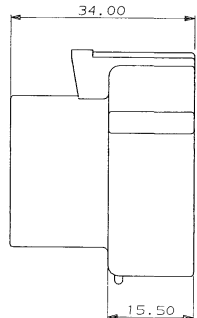
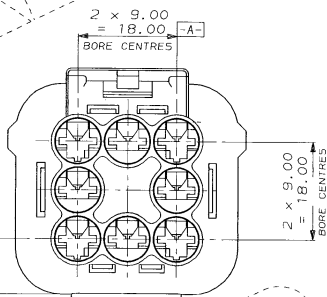
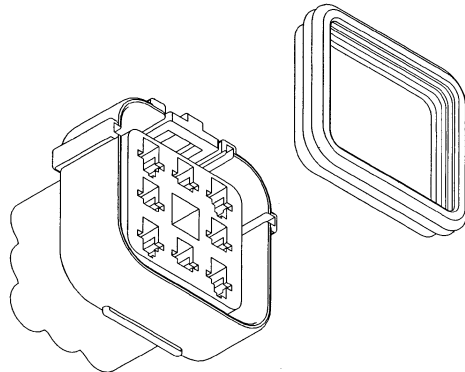


SCRAP VIEW (SEAL NOT SHOWN)



ITEM No.	MATERIAL	PART NO. OR COLOUR	DESCRIPTION	QTY PER ASSY	ASSEMBLY PART No.
2	SILICONE RUBBER	ORANGE	PERIPHERAL SEAL	1	
1	NYLON 6.6	344075-4	8 WAY REC. HSG.	1	344079-4 (WHITE)
2	SILICONE RUBBER	ORANGE	PERIPHERAL SEAL	1	
1	NYLON 6.6	344075-3	8 WAY REC. HSG.	1	344079-3 (BLUE)
2	SILICONE RUBBER	ORANGE	PERIPHERAL SEAL	1	
1	NYLON 6.6	344075-2	8 WAY REC. HSG.	1	344079-2 (RED)
2	SILICONE RUBBER	ORANGE	PERIPHERAL SEAL	1	
1	NYLON 6.6	344075-1	8 WAY REC. HSG.	1	344079-1 (BLACK)

CUSTOMER DWG FOR REFERENCE ONLY				TOLERANCES UNLESS OTHERWISE STATED		DR. I. J.	
E	PER. SEAL MOD.	C800-0134-34	11.10.94	±0.1	±0.2	CH. R. J. S.	APP. B. J.
D	ADDED -2, -3 & 4	C8970	26.11.91	±0.1	±0.2	AMP	TERMINAL HOUSE STAFFORD, WIDEN.
C	RIB REMOVED	C8331	5/9/89	±0.1	±0.2		
B	UPDATED	C8241	14.6.89				
A	UPDATED	C8008	21.7.88				
O	REL. FOR PROD.	C4705	24.2.88				
REV	MODIFICATION	ECN	DATE				

SCALE	LDC	SIZE	DWG. No.	REV	SHEET
2/1	E	A2	C344079	E	1/1