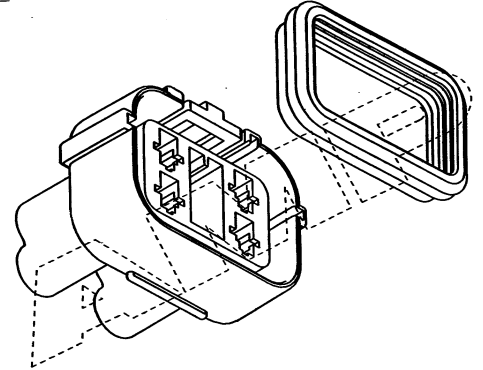
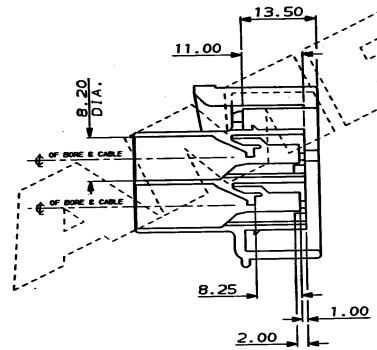
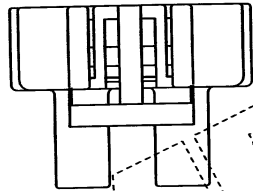
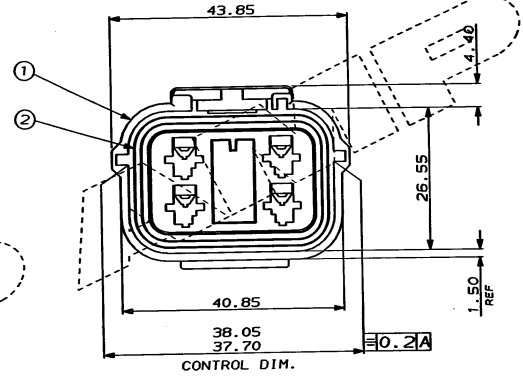
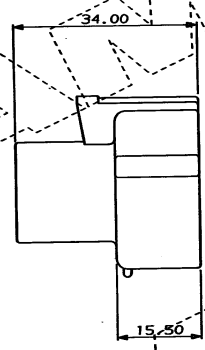
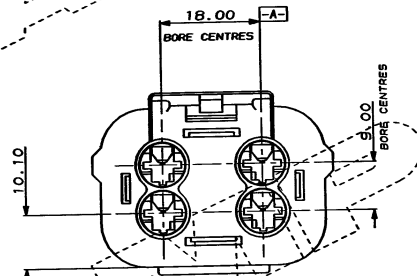


C.A.T. FILE ONLY
S. C344080.C

DO NOT SCALE DIMENSIONS IN MM.



SCRAP VIEW (SEAL NOT SHOWN)



ITEM NO.	MATERIAL	PART No.	DESCRIPTION	QTY. PER ASSY.	ASSEMBLY PART No.
2		344083-1	PERIPHERAL SEAL	1	344080-4 (WHITE)
1	NYLON 66	344077-4	4 WAY REC. HSG.	1	344080-3 (BLUE)
2		344083-1	PERIPHERAL SEAL	1	344080-2 (RED)
1	NYLON 66	344077-3	4 WAY REC. HSG.	1	344080-1 (BLACK)
2		344083-1	PERIPHERAL SEAL	1	
1	NYLON 66	344077-2	4 WAY REC. HSG.	1	
2		344083-1	PERIPHERAL SEAL	1	
1	NYLON 66	344077-1	4 WAY REC. HSG.	1	

CUSTOMER DWG
FOR REFERENCE ONLY

©COPYRIGHT 1987 BY AMP OF GREAT BRITAIN LTD. ALL INTERNATIONAL RIGHTS RESERVED. ALL PRODUCTS MAY BE COVERED BY BRITISH AND FOREIGN PATENTS AND/OR PATENTS PENDING.

RELEASED FOR PUBLICATION 24/06/87

TOLERANCES UNLESS OTHERWISE STATED:
DIM. ± 0.15
ANGLES ± 1°

DR. MADE CH. R. J. S. APP. B. J. 24/06/87

TERMINAL HOUSE STANDOFF WIDTH.

AMP
of Great Britain Ltd.

NAME 4 WAY RECEPTACLE HSG ASSY
ECONOSEAL 3 HIGH CURRENT

SCALE 2/1 LOC E SIZE A2 DWG. No. C344080 REV SHEET C 1/1