

4

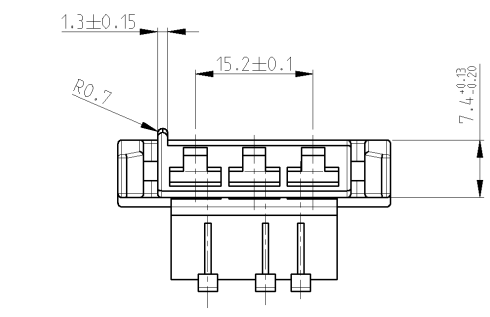
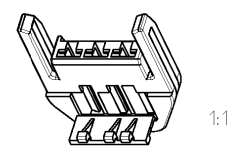
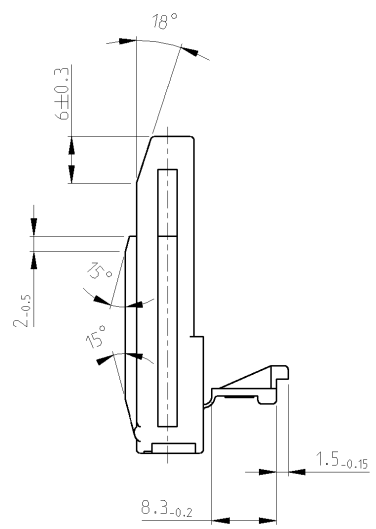
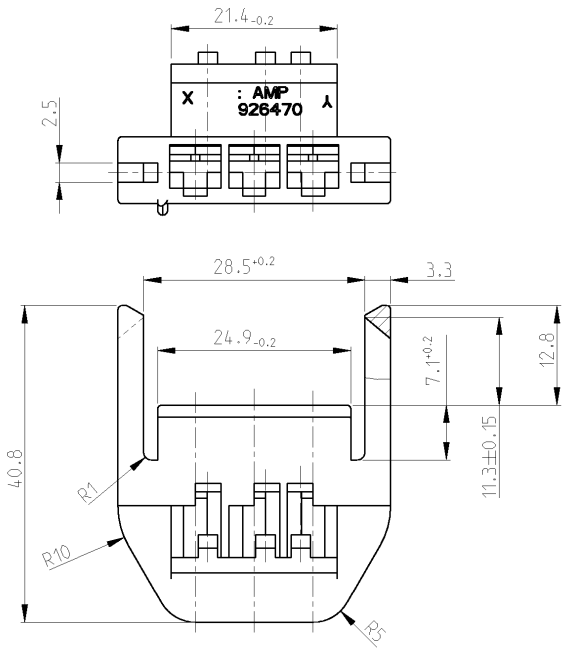
3

2

1

THIS DRAWING IS UNPUBLISHED. RELEASED FOR PUBLICATION 2005
 © COPYRIGHT 2005 BY TYCO ELECTRONICS CORPORATION. ALL RIGHTS RESERVED.

LOC		DIST		REVISIONS				
P	LTR	DESCRIPTION	DATE	DWN	APVD			
	L1	NEW CAD-DRAWING CREATED	20MAY2005	Abp	C.G.			



ALL RADII 0.5 EXCEPT AS NOTED
 Unbemaßte Radien R 0.5

BLACK	Polyamid 6.6 ZYTEL 408	926470-1	L
COLOR	MATERIAL	PART-NUMBER	REV.

<small>THIS DRAWING IS A CONTROLLED DOCUMENT FOR THE ELECTRONICS CORPORATION IT IS SUBJECT TO CHANGE AND THE CONTROLLING ENGINEERING ORGANIZATION SHOULD BE CONTACTED FOR THE LATEST REVISION.</small>		DWN Abraham G.	20MAY2005	tyco Electronics tyco Electronics AMP GmbH D - 64625 Bensheim	3 POS. POSITIVE MATE HINGED REC. HSG. 3 pol. Pos. Mate Geh. f. Flachsteckhülse
DIMENSIONS: mm		CHK Goepfel, C.	Z3MAY2005		
TOLERANCES UNLESS OTHERWISE SPECIFIED: ±0.2 ±0.10°		APVD	-	NAME	-
		PRODUCT SPEC	-	PRODUCT SPEC	-
MATERIAL FINISH		APPLICATION SPEC	-	APPLICATION SPEC	-
WEIGHT 4.3 g		SIZE	A3	CAGE CODE	00779
CUSTOMER DRAWING		DRAWING NO	G-926470	RESTRICTED TO	-
		SCALE	2:1	SHEET	1 OF 1
		REV	L1		

AMP 1470-19 REV 31MAR2000

Pro/ENGINEER DRAWING