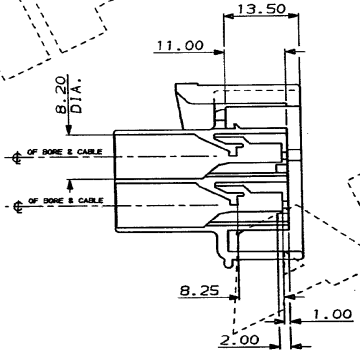
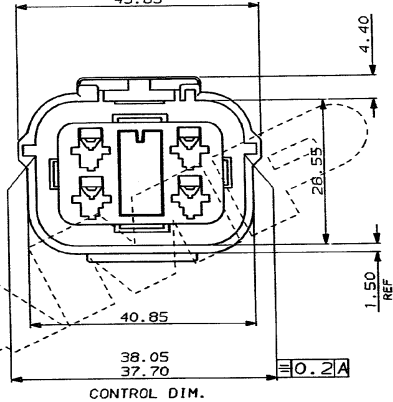
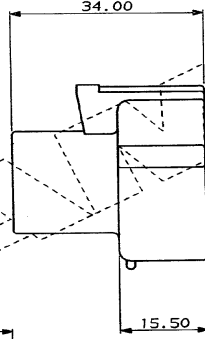
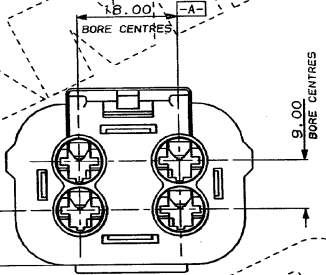
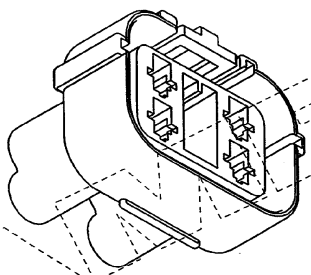
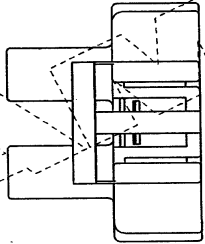
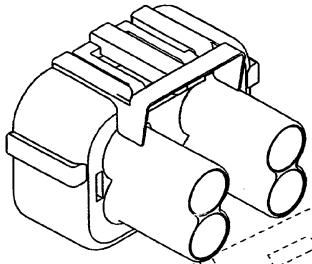


8 7 6 5 4 3 2 1

DO NOT SCALE DIMENSIONS IN MM.



WHITE	NYLON 66	344077-4
BLUE	NYLON 66	344077-3
RED	NYLON 66	344077-2
BLACK	NYLON 66	344077-1
FINISH	MATERIAL	PART NUMBER
CUSTOMER DWG		RELEASED FOR PUBLICATION
FOR REFERENCE ONLY		22/06/87
TOLERANCES UNLESS OTHERWISE STATED		DR. I.J.
REC ± 0.5		APP. B.J.
ANGLES A 1°		TERMINAL HOUSE
AMP of Great Britain Ltd.		STANNISSE
NAME 4 WAY RECEPTACLE HSG		WILCOX
ECONOSEAL 3 HIGH CURRENT		REV SHEET
SCALE 1/DC	SIZE E A2	C344077 C 1/1
REV APPROVED	ECN DATE	

8 7 6 5 4 3 2 1