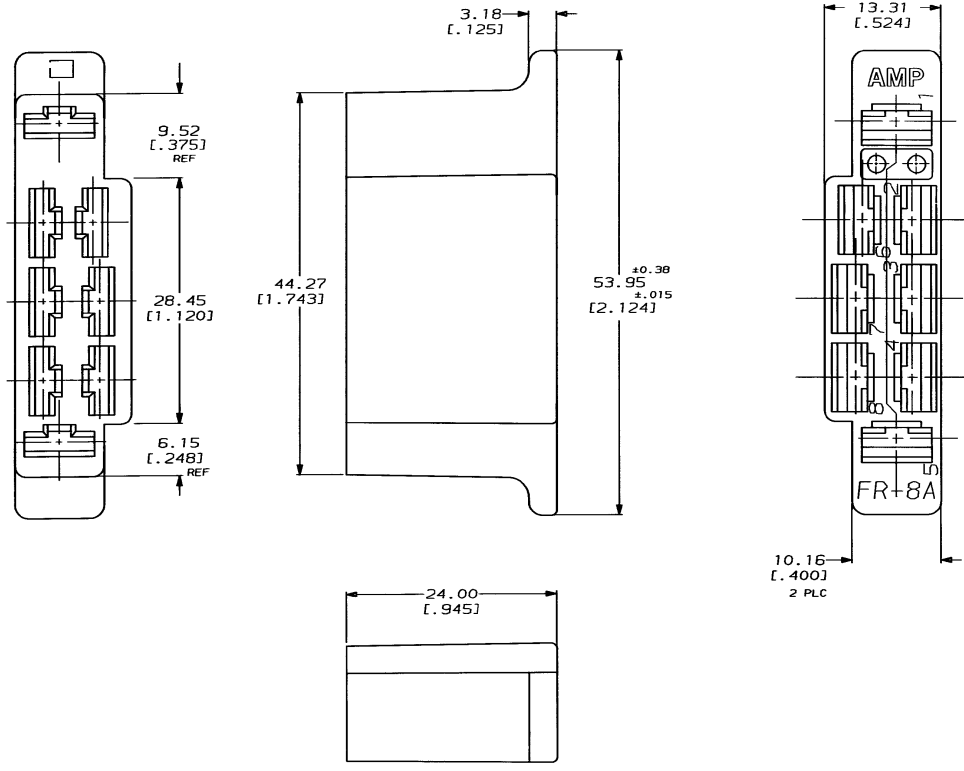


DRAWING MADE IN THIRD ANGLE PROJECTION

THIS DRAWING IS UNPUBLISHED. RELEASED FOR PUBLICATION BY AMP INCORPORATED. ALL INTERNATIONAL RIGHTS RESERVED. ,19

LOC	DIST	P	F	ZONE	LTR	REVISIONS	DATE	APPO
AF	50				A	RELEASED	10/12/89	JR/JG



**METRIC**

520965-1 PART NO		<b>AMP</b> AMP INCORPORATED Harrisburg, Pa. 17105	
DO NOT SCALE PRINT. UNLESS SPECIFIED DIMENSIONS IN mm (INCHES) TOLERANCES ON : 2 PLC DEC ± - 3 PLC DEC ± 0.25 (.010) ANGLES ± -	DR 8/1/89 JR RUTH CHK 8/1/89 MS FEHER APPD 8/1/89 J GILLESPIE	NAME HOUSING, RECPT, FASTIN- FASTON,™ .250 SERIES 8 CIRCUIT	
MATERIAL 6/6 NYLON	APPD 8/1/89 R KUZO PRODUCT SPEC -	SIZE <b>C</b>	CAGE CODE 00779
FINISH NATURAL	APPLICATION SPEC -	SCALE 3:1	DRAWING NO 520965
	WEIGHT -		SHEET 1 OF 1

CUSTOMER DRAWING

AMP 1471-G REV 6-89