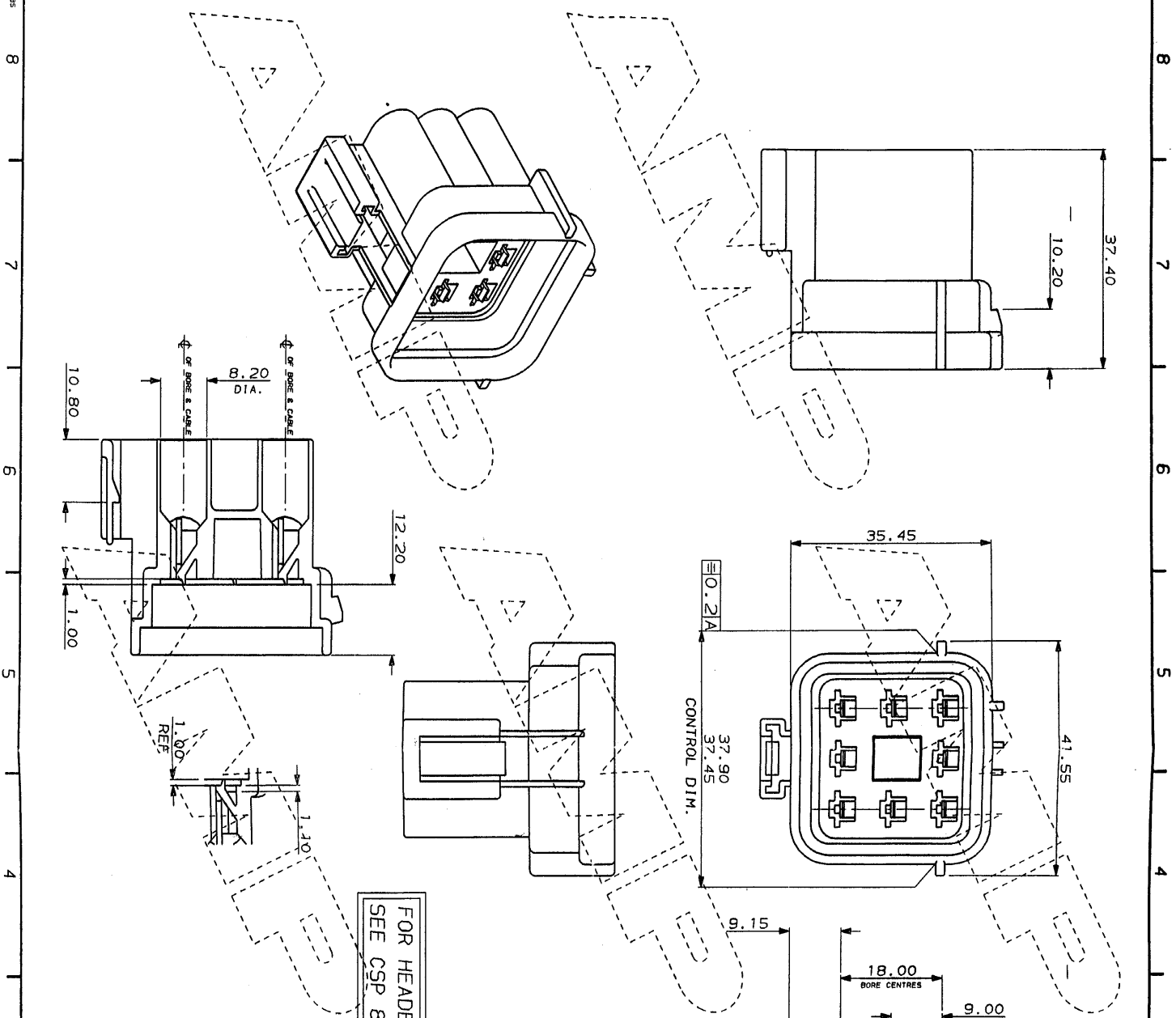
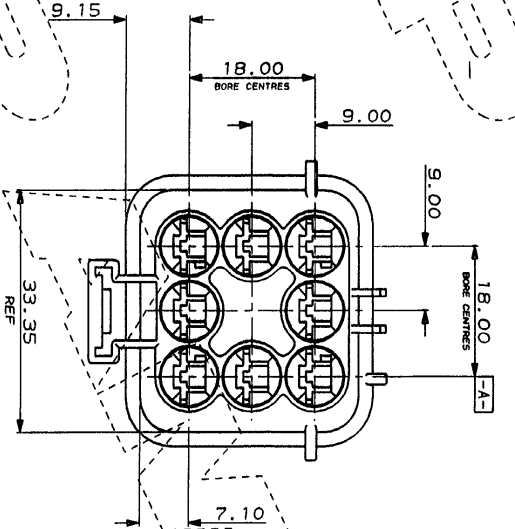


A B C D E F 8 7 6 5 4 3 2 1



FOR HEADER DETAILS OF THIS PART  
SEE CSP 8391 REV. 1.4



DO NOT SCALE  
DIMENSIONS IN MM.

CUSTOMER DWG		FINISH		MATERIAL		PART NUMBER	
WHITE	NYLON 6.6	344073-4					
BLUE	NYLON 6.6	344073-3					
RED	NYLON 6.6	344073-2					
BLACK	NYLON 6.6	344073-1					

CUSTOMER DWG		FINISH		MATERIAL		PART NUMBER	
WHITE	NYLON 6.6	344073-4					
BLUE	NYLON 6.6	344073-3					
RED	NYLON 6.6	344073-2					
BLACK	NYLON 6.6	344073-1					

TOLERANCES		STATES OTHERWISE		ANGLES	
D	±0.02	±0.05	±0.10	±0.5°	±1°
C	±0.05	±0.10	±0.15		
B	±0.10	±0.15	±0.20		
A	±0.20	±0.30	±0.40		

8 WAY TAB HSG.		ECONOSEAL 3 HIGH CURRENT	
SCALE	2/1	CODE	E A2
SIZE		DWG. NO.	C344073
REV	D 1/1	SHEET	1/1