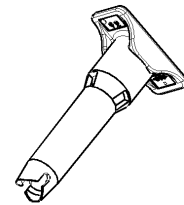
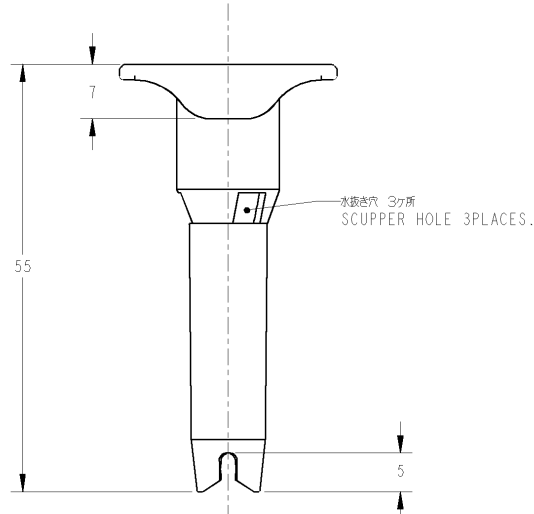
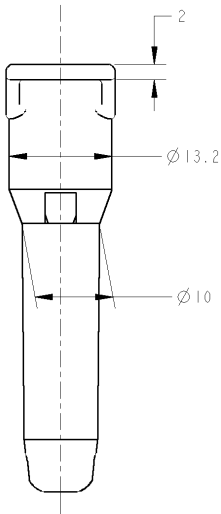


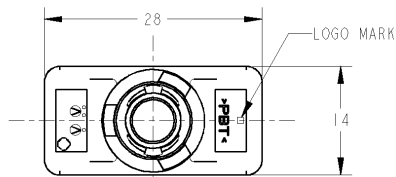
THIS DRAWING IS UNPUBLISHED. RELEASED FOR PUBLICATION
 COPYRIGHT 20 BY TYCO ELECTRONICS CORPORATION. ALL RIGHTS RESERVED.

LOC	DIST	REVISIONS						
J	-	F	LTR	DESCRIPTION	ECN	DATE	DWN	APVD
		O		RELEASED	FJA0-0412-03	12NOV03	YS	YF
		A		REVISED	ECR-05-010723	07DEC05	SS	YF
		B		REVISED	ECR-10-007503	23APR10	TS	KB

1674823-1; AS SHOWN
 1674823-1; 本圖



SCALE 1:1



1. THE APPLICATION CONTACT AND WIRE SEAL
 CONTACT: 962954, 962956
 WIRE SEAL: 963243, 963244, 963245
2. THE APPLICATION MATING CONTACT: ISO 6550-4.

1. 適用端子及びWIRE SEAL
 端子: 962954, 962956
 WIRE SEAL: 963243, 963244, 963245
2. 相手側適用端子規格: ISO 6550-4

THIS DRAWING IS A CONTROLLED DOCUMENT FOR TYCO ELECTRONICS CORPORATION. IT IS SUBJECT TO CHANGE AND THE CONTROLLING ENGINEERING ORGANIZATION SHOULD BE CONTACTED FOR THE LATEST REVISION.		DWN Y. SAKURAI	12-Nov-03	Tyco Electronics Corporation Kawasaki, Japan	DIESEL GLOW PLUG I POSITION HOUSING	RESTRICTED												
DIMENSIONS: mm		CHK E. TAKIZAWA	12-Nov-03															
TOLERANCES UNLESS OTHERWISE SPECIFIED:		APVD Y. FUJIWARA	12-Nov-03															
<table border="1"> <tr> <td>一般公差</td> <td>±</td> </tr> <tr> <td>0-PLC</td> <td>±0.3</td> </tr> <tr> <td>1-PLC</td> <td>±0.1</td> </tr> <tr> <td>2-PLC</td> <td>±0.001</td> </tr> <tr> <td>3-PLC</td> <td>±0.0005</td> </tr> <tr> <td>ANGLES</td> <td>±5'00"</td> </tr> </table>		一般公差	±	0-PLC	±0.3	1-PLC	±0.1	2-PLC	±0.001	3-PLC	±0.0005	ANGLES	±5'00"	PRODUCT SPEC 108-5908	NAME Y. FUJIWARA	SIZE A3	CAGE CODE 00779	DRAWING NO C-1674823
一般公差	±																	
0-PLC	±0.3																	
1-PLC	±0.1																	
2-PLC	±0.001																	
3-PLC	±0.0005																	
ANGLES	±5'00"																	
MATERIAL PBT	FINISH BLACK	APPLICATION SPEC 別添規格	WEIGHT 3.7g	CUSTOMER DRAWING		SCALE 2:1												