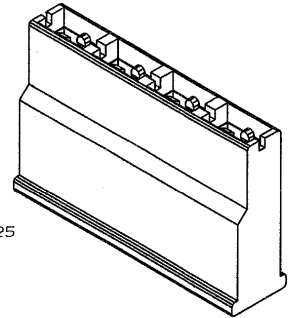
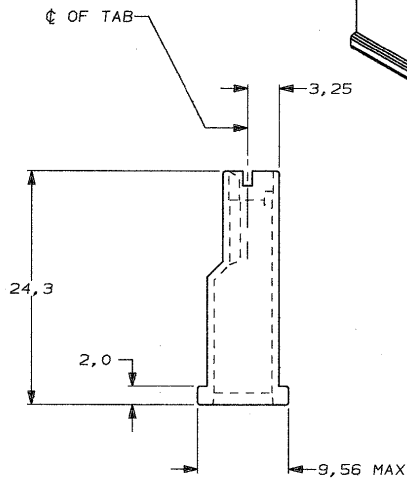
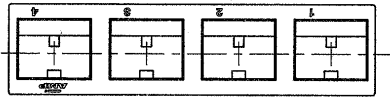
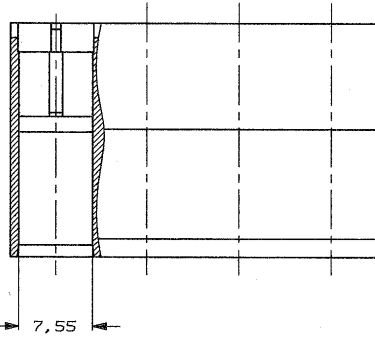
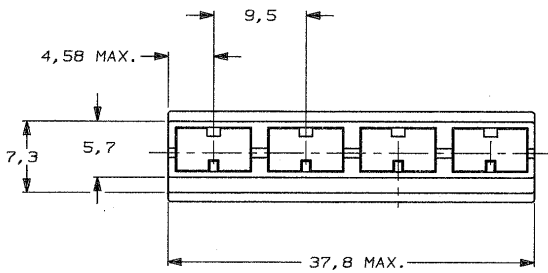


DO NOT SCALE
DIMENSIONS IN mm

METRIC

THIRD ANGLE
PROJECTION



BLACK		PA 6/6 94V2	215956-1
COLOUR		MATERIAL	PARTNUMBER
CUSTOMER DRAWING		AMP HOLLAND B.V. 's-Hertogenbosch, The Netherlands.	
FOR REFERENCE ONLY WILL NOT BE UPDATED		THIS DRAWING IS UNPUBLISHED RELEASED FOR PUBLICATION MARCH, 1988 © COPYRIGHT 1988 BY AMP-HOLLAND B.V. ALL INTERNATIONAL RIGHTS RESERVED. AMP PRODUCTS MAY BE COVERED BY U.S. AND FOREIGN PATENTS AND/OR PATENTS PENDING.	
DR. L.v.D.HEYDEN	DATE 24.03.1988	WIRE RANGE -	NAME 4 POSITION POSITIVE LOCK HOUSING
CHK. R.v.Lokven	DATE 28.04.88	INSUL. RANGE -	REV. DATE D M Y 03 11 88
APP. L.v.Sooest	DATE 03.05.88	SIZE A3	SHEET 1 OF 1
		DWG. No.	C-215956
		REV. LTR. A	

8 7 6 5 4 3 2 1