

4

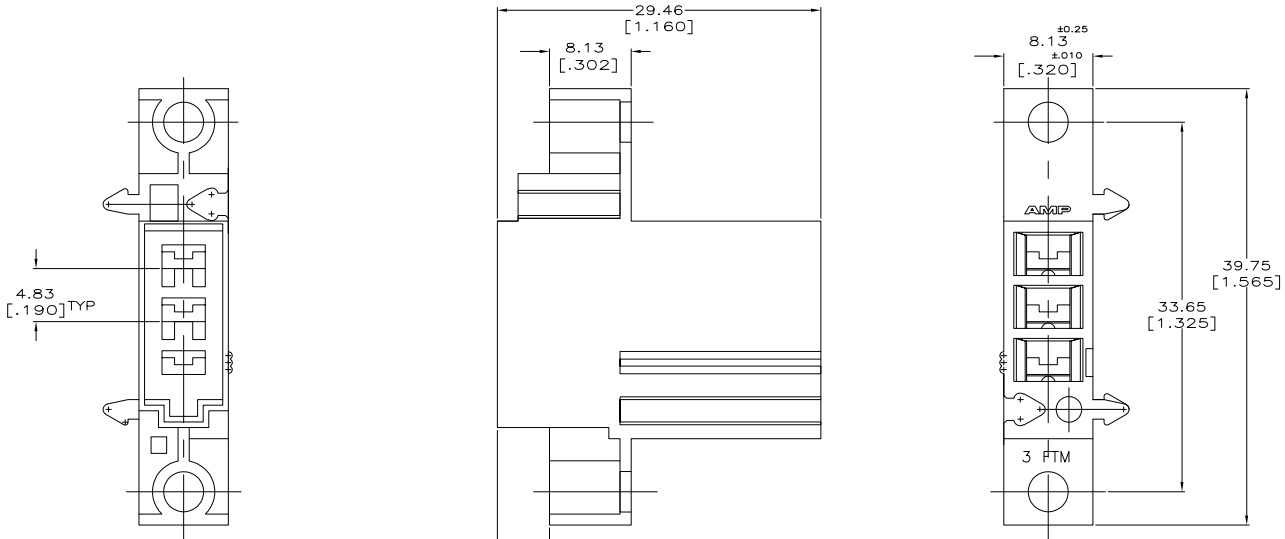
3

2

1

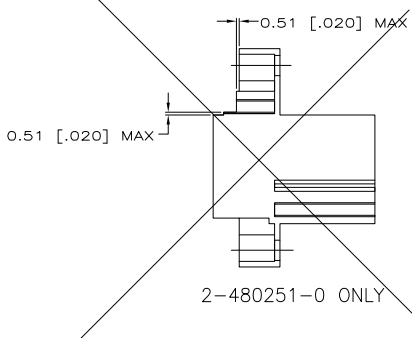
THIS DRAWING IS UNPUBLISHED. RELEASED FOR PUBLICATION.  
 © COPYRIGHT BY TYCO ELECTRONICS CORPORATION. ALL RIGHTS RESERVED.

LOC		DIST		REVISIONS			
F	LNK	REV PER	DESCRIPTION	DATE	BY	APPD	
U1		REV PER	ECR 05-004536	03OCT05	JR	KR	



- 1 USE TERMINAL 60434
- 2 FOR MOUNTING HOLE DIMENSIONS SEE CP-22678 AND CP-22893
- 3 FOR MOUNTING HOLE DIMENSIONS FOR 2-480251-0 SEE CP-24310

COLOR	PART NO.
NATURAL	2-480251-0
RED	1-480251-9
BLACK	1-480251-8
GRAY	1-480251-7
VIOLET	1-480251-6
BLUE	1-480251-5
GREEN	1-480251-4
YELLOW	1-480251-3
ORANGE	1-480251-2
BROWN	1-480251-1
NATURAL	1-480251-0



THIS DRAWING IS A CONTROLLED DOCUMENT.

DRN	JR RUTH	2/23/94
GR	MS FEHER	2/23/94
APD	R BEAVER	2/23/94

TYCO Electronics Tyco Electronics Corporation  
 Harrisburg, PA 17105-3608

HOUSING, TAB, FASTON,  
 4.75 [0.187] SERIES

DIMENSIONS:	TOLERANCES UNLESS OTHERWISE SPECIFIED:	SIZE	CAGE CODE	DRAWING NO.	RESTRICTED TO
INCHES:	0 PLC ± .005	A2	00779	C=480251	—
	1 PLC ± .005				
	2 PLC ± .005				
	3 PLC ± .005				
	4 PLC ± .005				
	ANGLES ± .5°				
	FINISH				
MATERIAL	SEE TABLE				
NYLON					

CUSTOMER DRAWING SCALE 4:1 SHEET 1 of 1 REV U1

AMP 1471-9 REV 31MM2000