

4

3

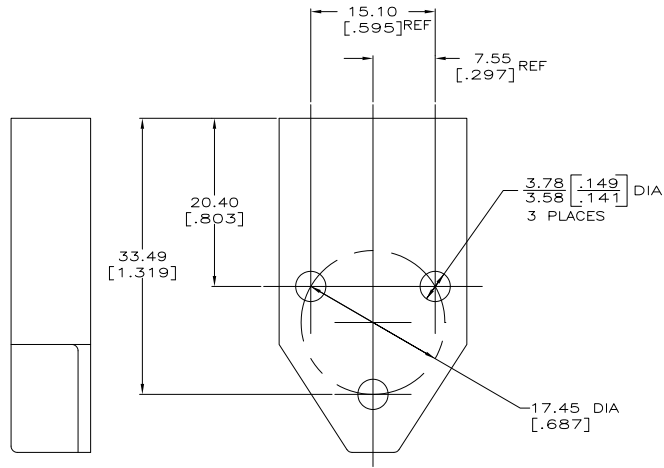
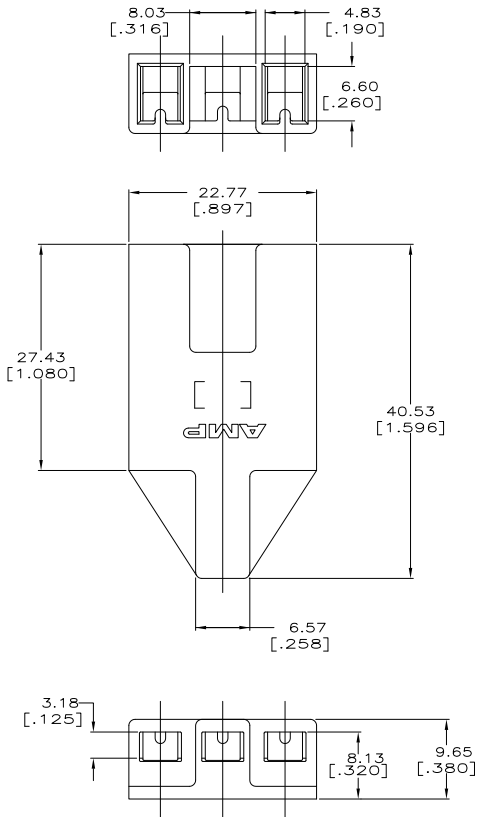
2

1

THIS DRAWING IS UNPUBLISHED. RELEASED FOR PUBLICATION.
 BY TYCO ELECTRONICS CORPORATION. ALL INTERNATIONAL RIGHTS RESERVED.

LOC		DIST		REVISIONS			
F	LNK	DESCRIPTION	DATE	BY	APP'D		
AF	50						
E		REVISED PER ECR-09-006852	21APR10	HMR	GJ		

1 HOUSING ACCEPTS 3.18 [1.25] DIA CLUSTER BLOCK PIN RECEPTACLES.



520995-1
PART NUMBER

THIS DRAWING IS A CONTROLLED DOCUMENT.		DRW M.S. FEHER 09JAN2008	Tyco Electronics Corporation Harrisburg, PA 17105-3608
DIMENSIONS: mm [INCHES]		CHK S.D. PORTA 09JAN2008	
TOLERANCES UNLESS OTHERWISE SPECIFIED:		APP'D S.D. PORTA 09JAN2008	NAME
0 PLC	±	PRODUCT SPEC	
1 PLC	±	APPLICATION SPEC	
2 PLC	± 0.25 (.010)	WEIGHT	
3 PLC	±	CUSTOMER DRAWING	
4 PLC	±	SCALE	1:1
ANGLES	±	SHEET	1 of 1
MATERIAL PBT UNFILLED	FINISH NATURAL	SIZE A2	CAGE CODE 00779
		DRAWING NO	520995
		RESTRICTED TO	