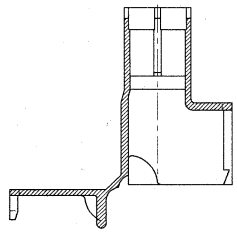
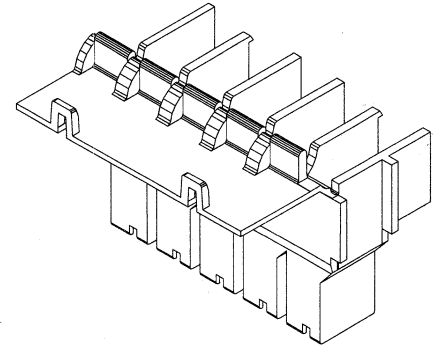
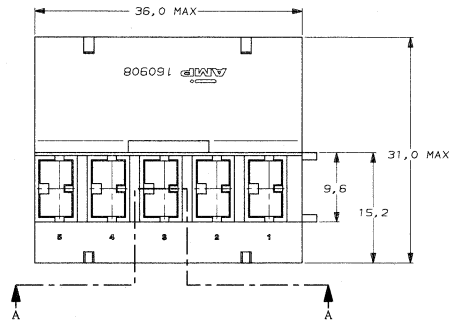


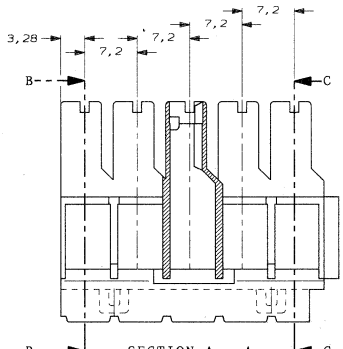
DO NOT SCALE
DIMENSIONS IN mm

METRIC

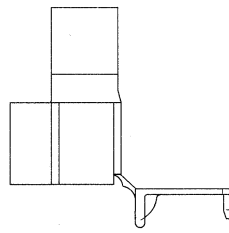
THIRD ANGLE
PROJECTION



SECTION B - B



SECTION A - A



SECTION C - C
AS CLOSED

BLACK	POLYAMIDE	160908-5
---	---	160908-4
---	6/6	160908-3
---	---	160908-2
NATUREL	94V2	160908-1
COLOR	MATERIAL	PARTNUMBER

CUSTOMER DRAWING		AMP-HOLLAND B.V.	
FOR REFERENCE ONLY WILL NOT BE UPDATED		THIS DRAWING IS UNCLASSIFIED AND RELEASED FOR PUBLICATION sept. 1987	
DR. R.v.Lokven 15.07.87		AMP-HOLLAND B.V.	
CRK. A.S. 07.05.87		5 POS POSITIVE LOCK FLAG HSG WITH SECONDARY LOCKING.	
APP. L.v.Sooet 09.09.87	DATE 09.09.87	SIZE A2	SHEET 1 OF 1
Dwg. No. C-160908		REV. DATE 07.04.88	
		REV. LTR. A	

11 10 9 8 7 6 5 4 3 2 1