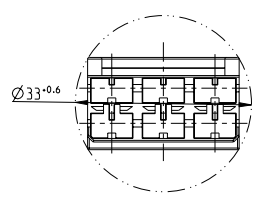
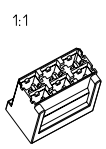
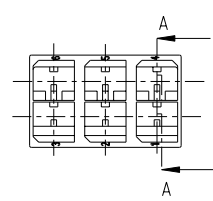
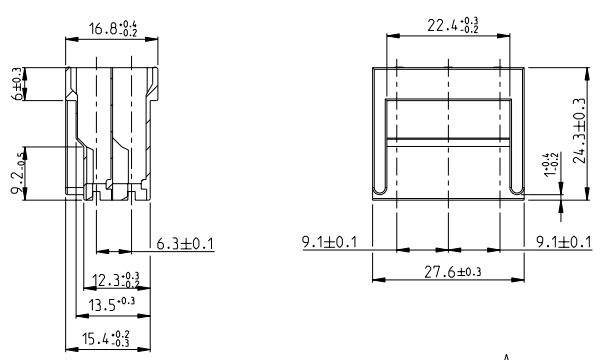


REV	DATE	BY	CHK	APPV
F1	17SEP2008	Raab	Goep.	
F2	19JAN10	KK	AEG	



Schnitt
Section
A-A



- Bemerkungen
NOTES:
- 1 Nicht vermaßte Wanddicken 1 +0.2 / -0.4
WALL THICKNESS 1 +0.2 EXEPT AS NOTED
 - 2 Nicht vermaßte Radien R0.3 +0.2
ALL RADII R0.3 +0.2 EXEPT AS NOTED
 - 3 OBSOLETE PARTS: OBSOLETE CIS STREAMLINING PER D.RENAUD/D.SINISI

	COLOR	MATERIAL	PARTNUMBER
	weiß/ WHITE RAL 9001	PA 6.6	926330-8
3 OBSOLETE	blau/ BLUE RAL 5012	PA 6.6	-926330-7
	gelb/ YELLOW RAL 1018	PA 6.6	926330-6
3 OBSOLETE	grün/ GREEN RAL 6011	PA 6.6	-926330-5
	rot/ RED RAL 3000	PA 6.6	926330-4
	natur/ NATURAL	PA 6.6	926330-3
3 OBSOLETE	grau/ GREY RAL 7037	PA 6.6	-926330-2
	schwarz/ BLACK	PA 6.6	926330-1

DIMENSIONS: mm		TOLERANCES UNLESS OTHERWISE SPECIFIED		DWG. 17SEP2008	
OPERATED SPECIFIED		OPERATED SPECIFIED		Raab, S. 22SEP2008	
APPLIC. SPEC		APPLIC. SPEC		Goepfel, M. 23SEP2008	
WEIGHT 3.7 g		WEIGHT 3.7 g		SIZE CASE CODE DRAWING NO. A2 00779	
CUSTOMER DRAWING		CUSTOMER DRAWING		SCALE 2:1 SHEET 1 of 1 REV F2	