

4

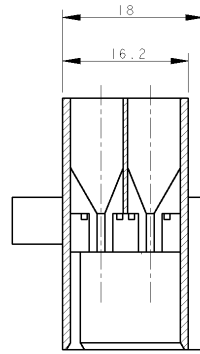
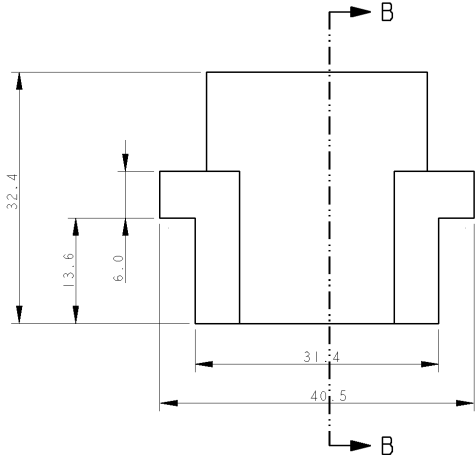
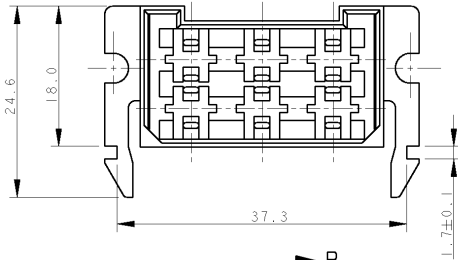
3

2

1

THIS DRAWING IS UNPUBLISHED. RELEASED FOR PUBLICATION . . . 19 . . .
 BY AMP INCORPORATED. ALL RIGHTS RESERVED.

LOC		DIST		REVISIONS			
F	LTR	DESCRIPTION	DATE	OWN	APVD		
		AD3	CORRECTED NOTE 1	10OCT06	HY	GT	
		AD4	REVISED PER - ECO-09-026346	26NOV09	KK	AEG	



SECTION B-B

△ MATERIALE CON GWFI A 850°C
 "GWFI AT 850°C MATERIAL"
 2 OBSOLETE PARTS: OBSOLETE CIS STREAMLINING
 PER D.RENAUD/D.SINISI

AMP TRADEMARK, OPTIONAL POSITION

(*) TRADEMARK OF AMP INCORPORATED

THIS DRAWING IS A CONTROLLED DOCUMENT FOR AMP INCORPORATED
 IT IS SUBJECT TO CHANGE AND THE CONFORMING MANUFACTURING
 ORGANIZATION SHOULD BE CONTACTED FOR THE LATEST REVISION.

DIMENSIONS:	TOLERANCES UNLESS OTHERWISE SPECIFIED:
mm	
Ø PLC	±
1 PLC	±0.4
2 PLC	±
3 PLC	±
4 PLC	±
ANGLES	±0.2
MATERIAL	FINISH
SEE TABLE	

OBSOLETE 2

NERO (BLACK)	△	180948-9	AD
NEUTRO (CLEAR)	△	180948-8	AD
GRIGIO (GRAY)		180948-7	AD
GIALLO (YELLOW)	POLYAMIDE 6.6 (PA 6.6)	180948-4	AD
ROSSO (RED)		180948-1	AD
NEUTRO (CLEAR)		180948-0	AD
COLORE (COLOUR)	MATERIALE (MATERIAL)	NUMERO DISEGNO AMP (AMP PART NUMBER)	REV.
OWN R. FABRIS	16APR99	AMP Italia S.p.A. C.so F.lli Cervi 15 Collegno (TO)	
CHK C. TARTARI		FASTIN-FASTON™ .250" Sr. CONNETTORE PORTA MASCHI A 6 VIE (con lancia di aggancio)	
APVD -		(6 WAY FASTIN-FASTON TAB HOUSING WITH LOCKING EARS, .250" SR.)	
PRODUCT SPEC 108-20020		SIZE A3	CAGE CODE 00779
APPLICATION SPEC -		DRAWING NO. C-180948	
WEIGHT -		SCALE 2:1	SHEET 1 of 2
CUSTOMER DRAWING		REV AD4	

AMP 1470-19 REV 09M194

4

3

2

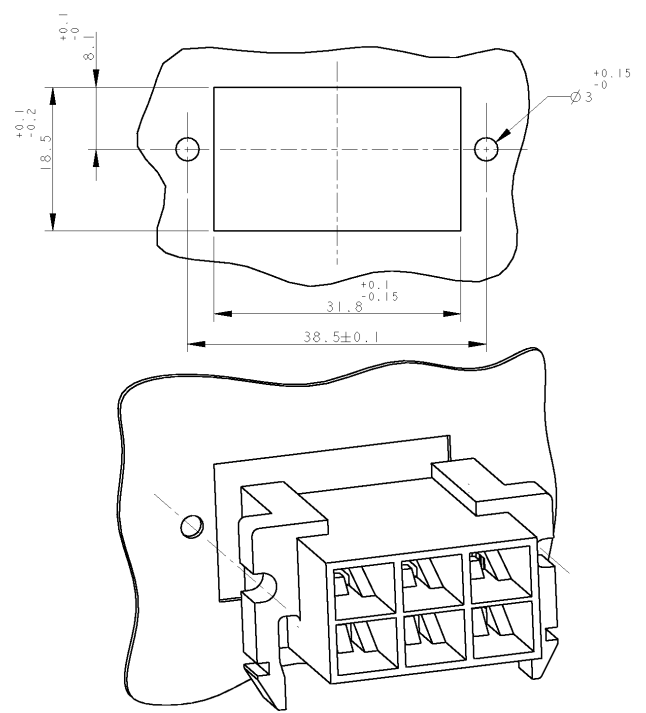
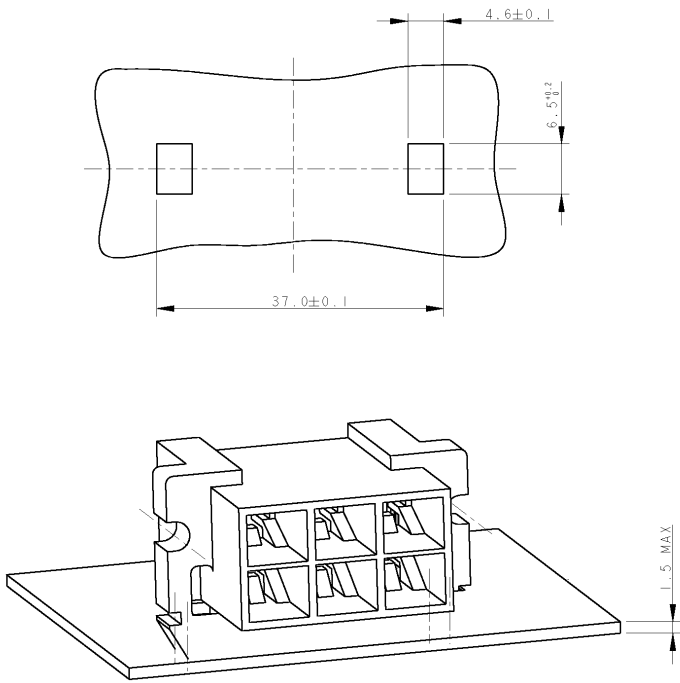
1

THIS DRAWING IS UNPUBLISHED. RELEASED FOR PUBLICATION .19
 BY AMP INCORPORATED. ALL RIGHTS RESERVED.

LOC		DIST		REVISIONS			
F	LTR	DESCRIPTION	DATE	DWN	APVD		
SEE SHEET 1 OF 2							

QUOTE DI MONTAGGIO PER DIMA PERPENDICOLARE
 (MOUNTING DIMENSIONS FOR FASTENING HSG PERPENDICULAR WITH PANEL)

QUOTE DI MONTAGGIO PER DIMA PARALLELA
 (MOUNTING DIMENSIONS FOR FASTENING HSG IN PARALLELA WITH THE PANEL)



<small>THIS DRAWING IS A CONTROLLED DOCUMENT FOR AMP INCORPORATED IT IS SUBJECT TO CHANGE AND THE CONFORMING MANUFACTURING ORGANIZATION SHOULD BE CONTACTED FOR THE LATEST REVISION.</small>		AMP AMP Italia S.p.A. C.so F.lli Cervi 15 Collegno (TO)	
DIMENSIONS: mm		TOLERANCES UNLESS OTHERWISE SPECIFIED: 0 PLC ± 1 PLC ± 2 PLC ± 3-4 PLC ± ANGLES ±	
MATERIAL: - FINISH: -		NAME: FASTIN-FASTON, 250° Sr. DIME DI MONTAGGIO PER CONNETTORE PORTA MASCHI A 6 VIE (MOUNTING DIMENSIONS FOR 6 WAY FASTIN-FASTON TAB HOUSING P/N 180948)	
CUSTOMER DRAWING		SIZE: A3	CAGE CODE: 00779 DRAWING NO: C-180948
		SCALE: 2:1	SHEET: 2 OF 2 REV: AD4