

4

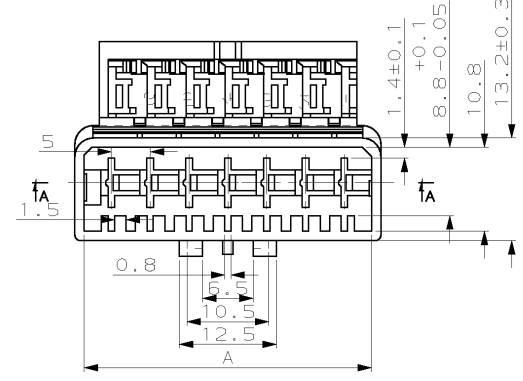
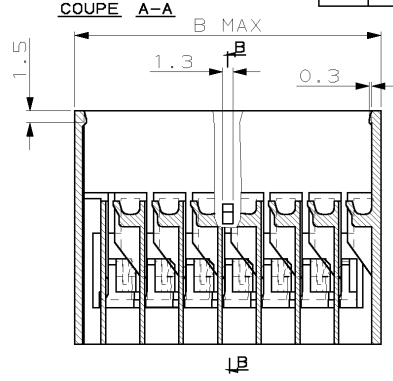
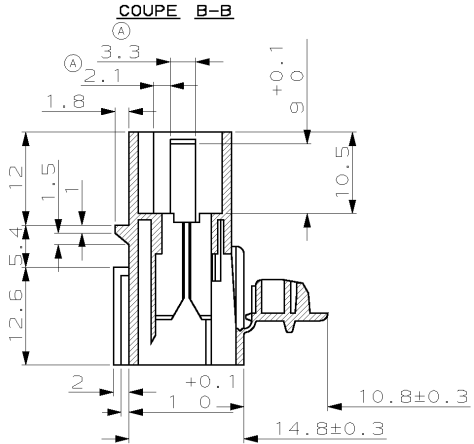
3

2

1

THIS DRAWING IS UNPUBLISHED. RELEASED FOR PUBLICATION .19
 © COPYRIGHT BY TYCO ELECTRONICS CORP. ALL RIGHTS RESERVED. LOC F DIST 7

REVISIONS		DESCRIPTION	DATE	DWN	APVD
P	LTR				
B		TABLE REFERENCES	12-JUN-02	RP	-



64.7	62	12	144837-2
59.7	57	11	144837-1
54.7	52	10	144836-0
49.7	47	9	144836-9
44.7	42	8	144836-8
39.7	37	7	144836-7
34.7	32	6	144836-6
29.7	27	5	144836-5
24.7	22	4	144836-4
B	A	Nb de VOIES (Nb of WAYS)	REFERENCES

THIS DRAWING IS A CONTROLLED DOCUMENT.

DWN: Remi PATIN 12-JUN-02
 DRK: Jacques LALANGE 12-JUN-02
 APVO: Jean Jacques REVIL 12-JUN-02

TYCO Electronics TYCO ELECTRONICS FRANCE SAS
 BP 39, 95301 CERGY-PONTOISE CEDEX

PL 5MM DOUBLE VERROUILLAGE
 (CAP HSG 5MM DOUBLE LOCKING)

SIZE: A3 CAGE CODE: 100779 DRAWING NO: 144836 RESTRICTED TO: B

MATERIAL: PA 6.6 FINISH: -

PRODUCT SPEC: -
 APPLICATION SPEC: -
 WEIGHT: -

CUSTOMER DRAWING SCALE: 2:1 SHEET 1 OF 2 REV B

C

B

A

			5-144836-4 BLUE (BLEU) 6-144836-4 VIOLET 7-144836-4 GRAY (GRIS) 8-144836-4 WHITE (BLANC) 9-144836-4	5-144836-5 BLUE (BLEU) 6-144836-5 VIOLET 7-144836-5 GRAY (GRIS) 8-144836-5 WHITE (BLANC) 9-144836-5
	7 POSITIONS	8 POSITIONS	9 POSITIONS	10 POSITIONS
	BLACK (NOIR) 0-144836-7 BROWN (MARRON) 1-144836-7 RED (ROUGE) 2-144836-7 ORANGE 3-144836-7 YELLOW (JAUNE) 4-144836-7 GREEN (VERT) 5-144836-7 BLUE (BLEU) 6-144836-7 VIOLET 7-144836-7 GRAY (GRIS) 8-144836-7 WHITE (BLANC) 9-144836-7	BLACK (NOIR) 0-144836-8 BROWN (MARRON) 1-144836-8 RED (ROUGE) 2-144836-8 ORANGE 3-144836-8 YELLOW (JAUNE) 4-144836-8 GREEN (VERT) 5-144836-8 BLUE (BLEU) 6-144836-8 VIOLET 7-144836-8 GRAY (GRIS) 8-144836-8 WHITE (BLANC) 9-144836-8	BLACK (NOIR) 0-144836-9 BROWN (MARRON) 1-144836-9 RED (ROUGE) 2-144836-9 ORANGE 3-144836-9 YELLOW (JAUNE) 4-144836-9 GREEN (VERT) 5-144836-9 BLUE (BLEU) 6-144836-9 VIOLET 7-144836-9 GRAY (GRIS) 8-144836-9 WHITE (BLANC) 9-144836-9	BLACK (NOIR) 0-144836-0 BROWN (MARRON) 1-144836-0 RED (ROUGE) 2-144836-0 ORANGE 3-144836-0 YELLOW (JAUNE) 4-144836-0 GREEN (VERT) 5-144836-0 BLUE (BLEU) 6-144836-0 VIOLET 7-144836-0 GRAY (GRIS) 8-144836-0 WHITE (BLANC) 9-144836-0
	12 POSITIONS			
	BLACK (NOIR) 0-144837-2 BROWN (MARRON) 1-144837-2 RED (ROUGE) 2-144837-2 ORANGE 3-144837-2 YELLOW (JAUNE) 4-144837-2 GREEN (VERT) 5-144837-2 BLUE (BLEU) 6-144837-2 VIOLET 7-144837-2 GRAY (GRIS) 8-144837-2 WHITE (BLANC) 9-144837-2			

THIS DRAWING IS A CONTROLLED DOCUMENT

DIMENSIONS:		TOLERANCES UNLESS OTHERWISE SPECIFIED	
mm		0-PLC	±
		1-PLC	±0.3
		2-PLC	±
		3-PLC	±
		4-PLC	±
		ANGLES	±5°
MATERIAL	V01R FEUILLE 1	FINISH	-

AMP 1471-9 REV 01/2001 (FR)