

4

3

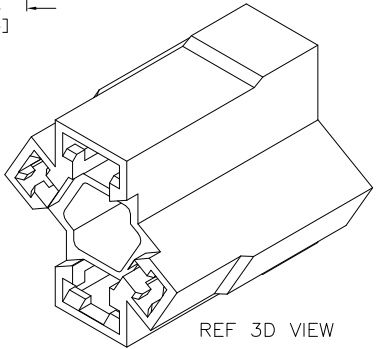
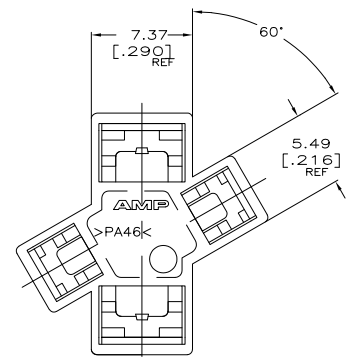
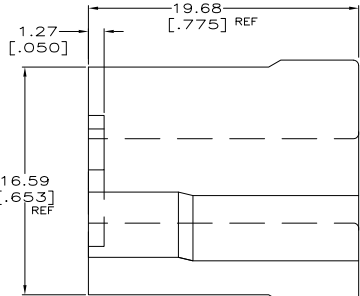
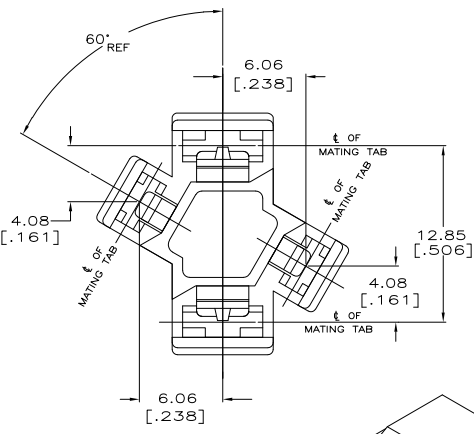
2

1

THIS DRAWING IS UNPUBLISHED. RELEASED FOR PUBLICATION  
 © COPYRIGHT - By - ALL RIGHTS RESERVED.

LOC		DIBT		REVISIONS			
P	LR	DESCRIPTION	DATE	BY	APPD		
J		REV PER EDR 10-10560	23MAR11	JR	PD		

1 TO ENSURE PROPER MATING OF RECEPTACLE TO TAB, TAB LENGTH ON DOOR SWITCH SHOULD BE A MINIMUM OF 8.255 [.325].



521251-1  
PART NO.

THIS DRAWING IS A CONTROLLED DOCUMENT.		DR. J.R. RUTH 30NOV00		TE Connectivity	
DIMENSIONS: INCHES		CHK. M.S. FEHNER 30NOV00		HOUSING, RECEPTACLE, FASTON, 2.79 [.110] & 4.75 [.187] SERIES	
OTHER DIMENSIONS: MILLIMETERS		APPD. P. DESANTIS 30NOV00	RESTRICTED TO		
0 PLG ± - 1 PLG ± - 2 PLG ± - 3 PLG ± 0.25 [010] 4 PLG ± - ANGLES ± -		PRODUCT SPEC	SIZE	CAGE CODE	DRAWING NO
MATERIAL: 4/6 NYLON 150° C		FINISH: NATURAL	WEIGHT	A2	00779
		CUSTOMER DRAWING	SCALE: 5:1	SHEET: 1 of 1	REV: J