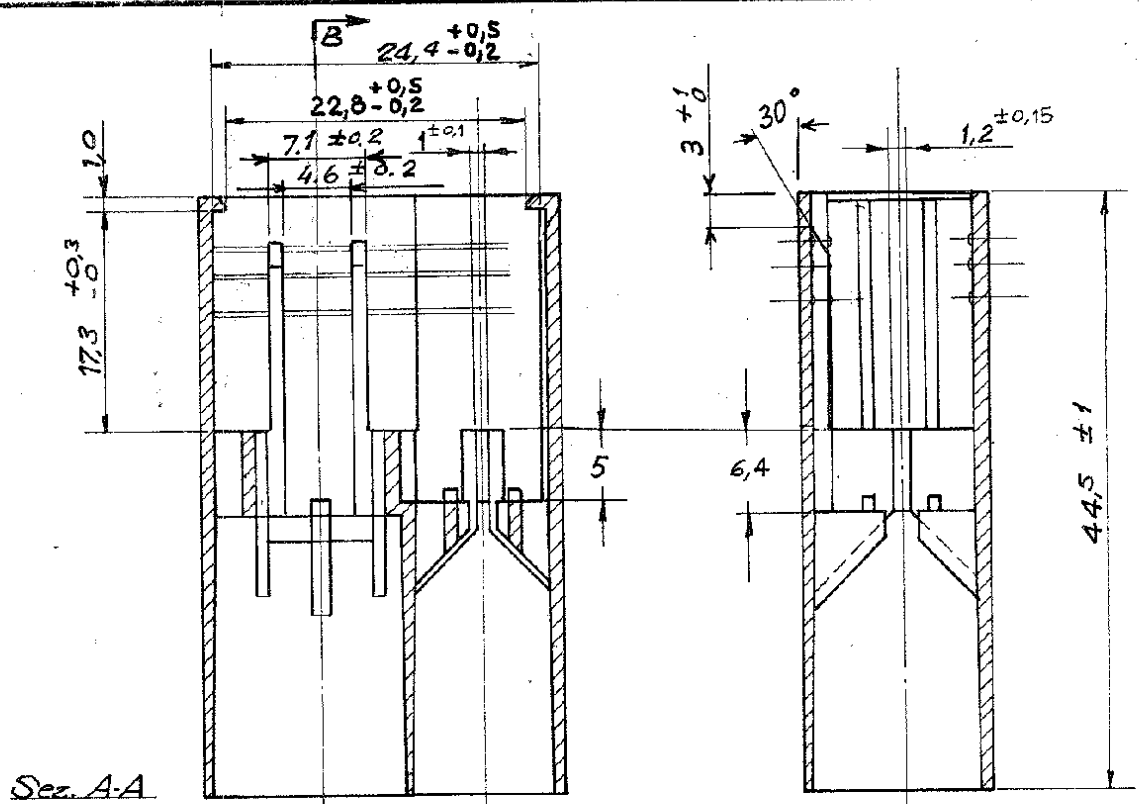
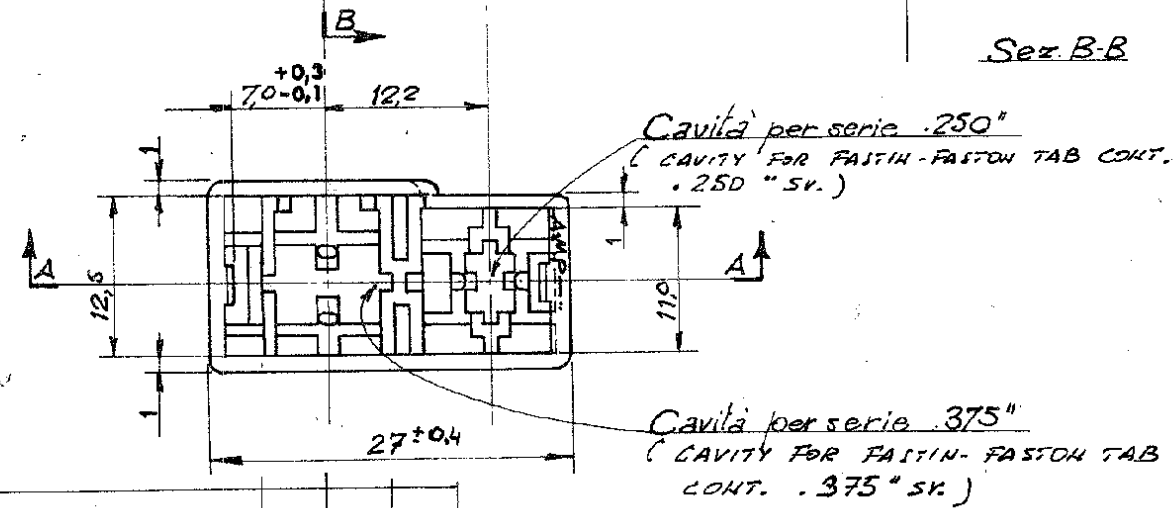


NUMBER
C-280924-



Sez. A-A

Sez. B-B



DIMENSIONS IN MM. DO NOT SCALE PRINT

F	AGGIORNATO (AGG. NERVAT.)	TC	7/AGO '92
E	ADDED RED VERSION (.../1)	S. Scavini	11-09 '86
D	AGGIORNATO	S. Scavini	1/3 '85
C	Revisionato	EB C. P.	6-6 '83
B	ADDED BLACK VERSION (.../5)	Raffa	22/5/80
A	in Produzione	Raffa	24-3-78
2	AGGIORNATO	Raffa	9/11/77
1	ERA 1A-77-5335	Raffa	20/10/77
DR	REVISION RECO	OR	CHK DATE
DR	27-6 '77	OR	28-6-77
DR	28/6/77	APP	

© 1977 BY AMP INCORPORATED. ALL RIGHTS RESERVED. AMP PRODUCTS COVERED BY PATENTS AND OR PATENTS PENDING.

CUSTOMER COPY
REFERENCE ONLY

MATERIAL AND FINISH
POLIAMMIDE 6/6
280924-0 NATURAL
280924-5 BLACK
280924-1 RED



AMP ITALIA
VIA CERV1 15
COLLEGNO (TORINO)

TOLERANCE EXCEPT AS NOTED
 $\pm 0.3 \pm 0.0$

SCALE
2:1

LOC
I

NO
A

NO
C-280924

REV
F

NAME
BLOCCHETTO 2 VIE A" T., FASTIN-FASTON
PER TERMINALE MASCHIO SERIE 250" E 375"