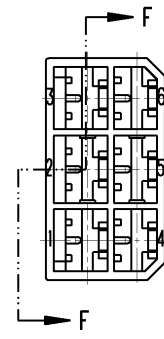
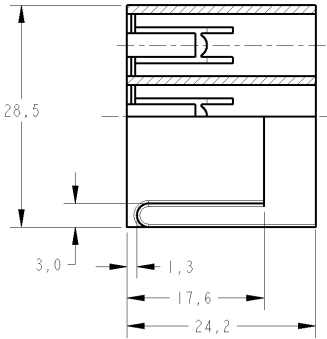
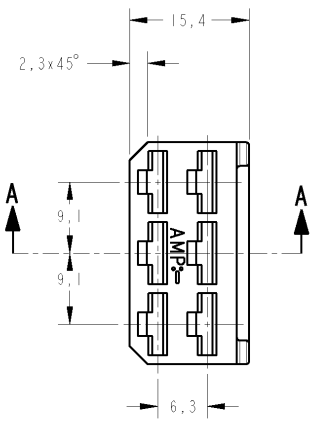


THIS DRAWING IS UNPUBLISHED. RELEASED FOR PUBLICATION
 © COPYRIGHT 20 BY TYCO ELECTRONICS CORPORATION. ALL RIGHTS RESERVED.

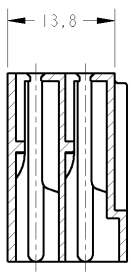
LOC	DIST	REVISIONS			
P	LTR	DESCRIPTION	DATE	DWN	APVD
E		UPDATED REVISION LEVEL	EC-220/04	20APR2004	MRB PLF
F		REVISED BY LE10-0051/05		13APR2005	H.C WLS
F1		REVISED BY ECO-08-013026		28MAY2008	NCL LWP
F2		REVISED PER ECO-09-026444		27NOV09	KK AEG



CORTE SECTION F-F 1-INTERCAMIÁVEL COM PN. 280314 1-INTERCHANGEABLE WITH PN. 280314.

2-MATÉRIA PRIMA CONFORME ESPECIFICAÇÃO IEC 60335-1, GWT 750°C, SEM CHAMA. RAW MATERIAL ACC. TO SPEC. IEC 60335-1, GWT 750°C, WITHOUT FLAME.

3- OBSOLETE PARTS: OBSOLETE CIS STREAMLINING PER D.RENAUD/D.SINISI



CORTE SECTION A-A

3	OBSOLETE	CINZA / GRAY	PA 6.6	880297-3
		PRETO / BLACK	PA 6.6	880297-2
		NATURAL	2 PA 6.6 V-0	2-880297-0
		NATURAL	PA 6.6	880297-1
		FINISH	MATERIAL	PART NUMBER

<small>IF DRAWING IS A CONTROLLED DOCUMENT FOR APPLICABILITY DETERMINATION IT IS SUBJECT TO CHANGE AND THE CONTROLLING ENGINEERING ORGANIZATION SHOULD BE CONTACTED FOR THE LATEST REVISION.</small>		DWN	01APR2004	TYCO ELECTRONICS do Brasil LTDA. Sao Paulo, Brasil
DIMENSIONS: mm		CHK	01APR2004	
TOLERANCES UNLESS OTHERWISE SPECIFIED: 0 PLC ±- 1 PLC ±0.3 2 PLC ±- 3 PLC ±- 4 PLC ±- ANGLES ±1°		APVD	01APR2004	
MATERIAL	SEE TABLE	FINISH	SEE TABLE	
PRODUCT SPEC APPLICATION SPEC WEIGHT		NAME 6 WAY .250 FASTIN-ON REC. HSG.		RESTRICTED TO
SIZE A3		CAGE CODE 00779		DRAWING NO C-880297
CUSTOMER DRAWING			SCALE	2.1
			SHEET	OF
			REV	F2