

4

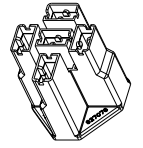
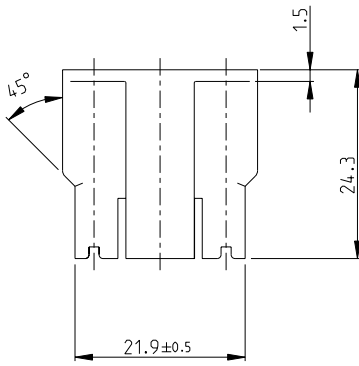
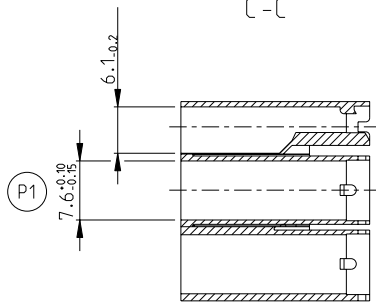
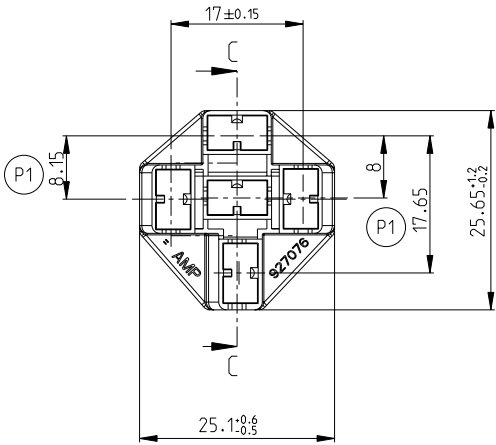
3

2

1

THIS DRAWING IS UNPUBLISHED. RELEASED FOR PUBLICATION 2005
 © COPYRIGHT 2005 BY TYCO ELECTRONICS CORPORATION. ALL RIGHTS RESERVED.

LOC	DIST	REVISIONS			
P	LTR	DESCRIPTION	DATE	DNW	APVD
P		NEW CAD DRAWING CREATED	25MAR2008	Abr	Goep
P1		DRAFTING ERROR AND RELAX CAVITY TOLERANCE	18-SEP-2010	PKS	MP



1:1

PA 6.6	BLACK	926526-1	P
MATERIAL	COLOUR	PART NUMBER	REV

<small>THIS DRAWING IS A CONTROLLED DOCUMENT FOR TYCO ELECTRONICS CORPORATION. IT IS SUBJECT TO CHANGE AND THE CONTROLLING ENGINEERING ORGANIZATION SHOULD BE CONTACTED FOR THE LATEST REVISION.</small>		DNW Abraham G. 25MAR2008 CHK Goepfel C. 26MAR2008 APVD -	NAME Tyco Electronics Tyco Electronics AMP GmbH 64625 Bensheim (Germany)
DIMENSIONS: mm 	TOLERANCES UNLESS OTHERWISE SPECIFIED: 0-PLC ±0.2 1-PLC ±0.2 2-PLC ±0.2 3-PLC ±0.2 4-PLC ±0.2 ANGLES ±30° FINISH -	PRODUCT SPEC 108-18112-1 APPLICATION SPEC - WEIGHT 3.3 g	SIZE A3 CAGE CODE 00779 DRAWING NO C-926526 RESTRICTED TO -
MATERIAL -		CUSTOMER DRAWING	
		SCALE 2:1	SHEET 1 OF 1 REV P1

AMP 1470-19 REV 31MAR2000
 Pro/ENGINEER DRAWING