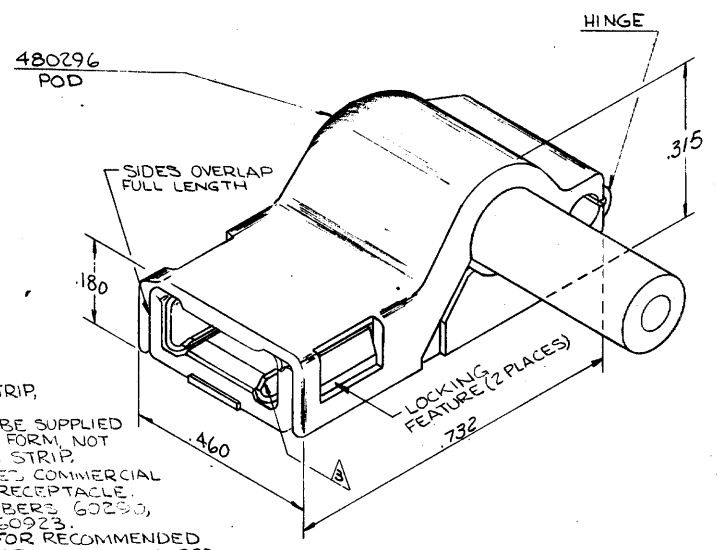
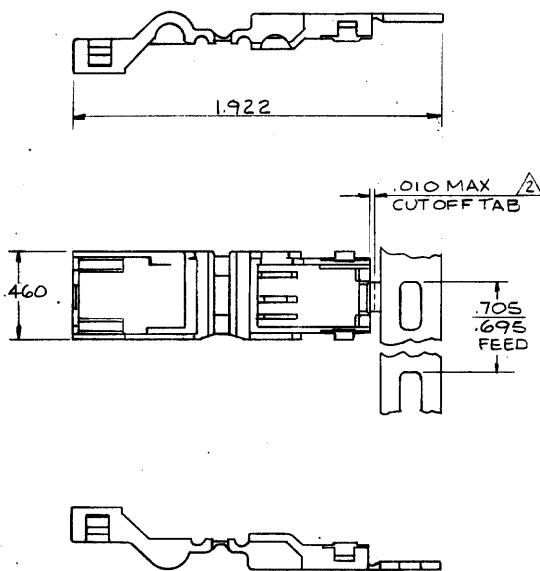


UNLESS OTHERWISE SPECIFIED, DIMENSIONS ARE IN INCHES. DO NOT SCALE PRINT.



NOTE:  
 1. CONTINUOUS STRIP, ON REELS.  
 2. THIS PART TO BE SUPPLIED IN INDIVIDUAL FORM, NOT AS CONTINUOUS STRIP.  
 3. "250" SERIES COMMERCIAL FLAG FASTON RECEPTACLE, TERMINAL NUMBERS 60290, 60314, 60455, 60923.  
 4. SEE CP-14251 FOR RECOMMENDED TAB DETAILS FOR TERMINAL 60923, OTHER TERMINALS SEE CP-23587.

INSULATION RANGE	MATERIAL AND FINISH	PART NUMBER STRIP	COMBINATION NUMBER LOOSE PIECE
.140 MAX. OR .110 MAX.	NYLON - NATURAL	1-480296-0	1-480305-1 (1-480296-0 L)

REV	DESCRIPTION	DATE	BY	CHK	DATE
D	REVISED		AM	1/16/66	
C	RELEASED		VK	3/11/66	
B	DELETED "EC" FROM NR. A-890		CM	3/11/66	
A	REDRAWN	A47	CM	3/11/66	
LTR	REVISION RECORD		DR	CHK	DATE

NO.	DESCRIPTION	QTY	REMARKS
1	AMPIP-POST INSULATION POD		

Dwg No: 480296 Date: 3-1-66 Designer: C. MEYERS Checker: M. F. Miller Date: 3-2-66 Approver: R. C. Mean Date: 3-2-66	©1966 BY AMP INCORPORATED. ALL RIGHTS RESERVED. AMP PRODUCTS COVERED BY PATENTS AND/OR PATENTS PENDING.	<b>CUSTOMER COPY REFERENCE ONLY</b> AMP INCORPORATED HARRISBURG PENNA.
MATERIAL AND FINISH: NYLON - NATURAL WIRE - RANGE - INSULATION: AS NOTED ± .018 SCALE: 2-1 LQC: A NO: B NO: 480296 REV: D		