

4

3

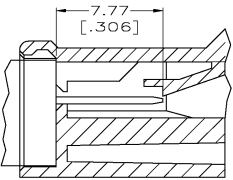
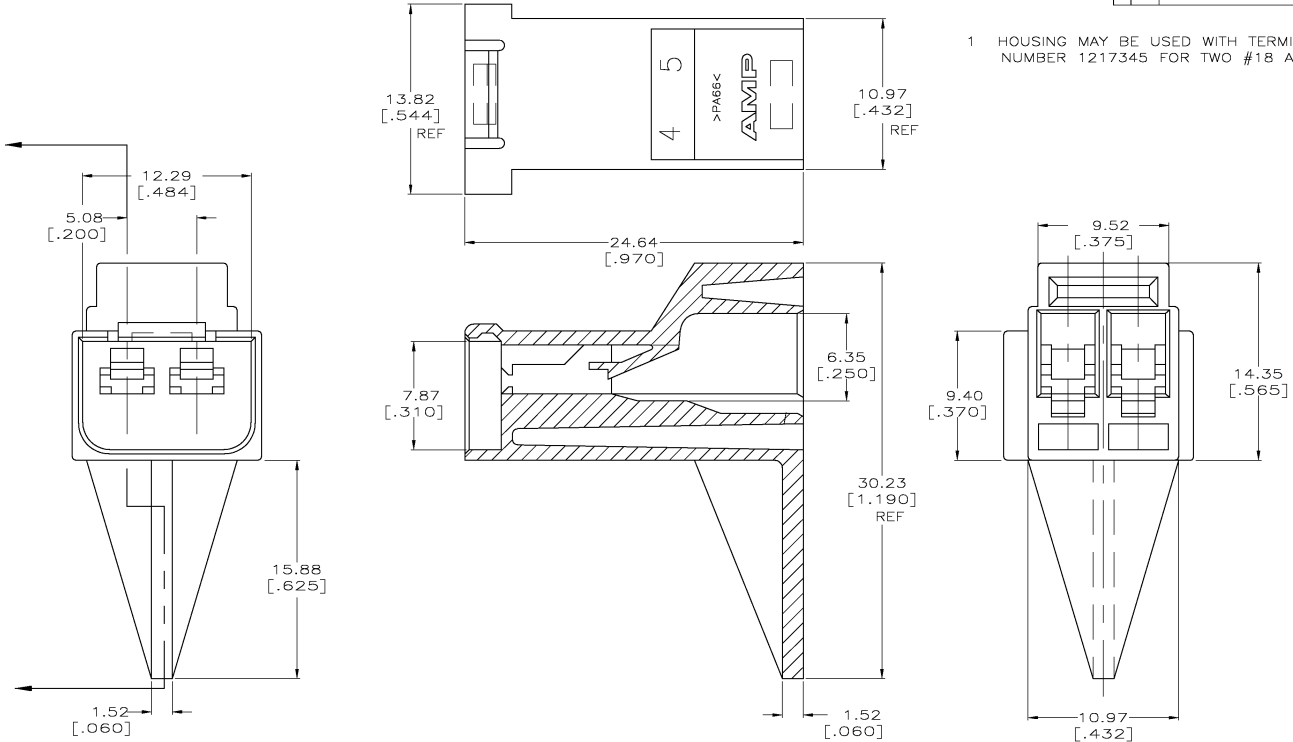
2

1

THIS DRAWING IS UNPUBLISHED. RELEASED FOR PUBLICATION. BY TYCO ELECTRONICS CORPORATION. ALL RIGHTS RESERVED.

LOC	DIST	REVISIONS					
AF	50	P	LTR	DESCRIPTION	DATE	BY	APP'D
		F		REVISED PER DG3A-0971-04	16FEB95	JR	PD

1 HOUSING MAY BE USED WITH TERMINAL NUMBER 1217345 FOR TWO #18 AWG WIRES.



DESIRED TAB LENGTH

521306-1
PART NUMBER

THIS DRAWING IS A CONTROLLED DOCUMENT.		DWG: MICHAEL S. FEHLER 070C2003	 Tyco Electronics Corporation Harrisburg, PA 17105-3608
DIMENSIONS: mm (INCHES)		CHK: JEFF R. RUTH 070C2003	
TOLERANCES UNLESS OTHERWISE SPECIFIED:		APP: PETE DESANTIS 070C2003	HOUSING, RECEPTACLE, FASTON, 2.79 [.110] SERIES
0.010	P.L.C.	APPROVAL:	APPLICATION SPEC: -
0.015	P.L.C.	DATE:	WEIGHT: -
0.025	P.L.C.	FINISH:	RESTRICTED TO: -
0.050	P.L.C.	MATERIAL:	SIZE CASE CODE DRAWING NO:
0.100	P.L.C.	FINISH:	A2 00779 C-521306
0.150	P.L.C.	FINISH:	SCALE: 5:1 SHEET 1 OF 1 REV F
0.300	P.L.C.	FINISH:	CUSTOMER DRAWING