

4

3

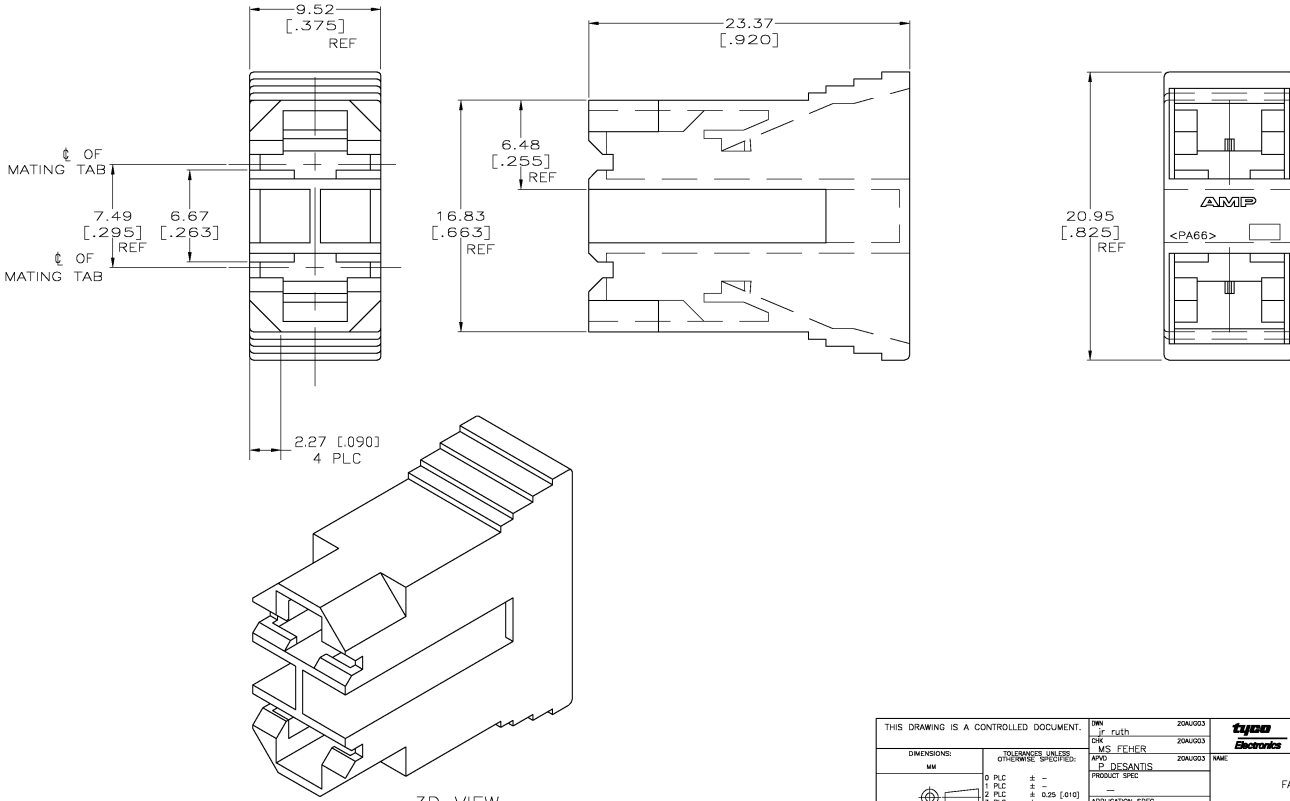
2

1

THIS DRAWING IS UNPUBLISHED. RELEASED FOR PUBLICATION. COPYRIGHT BY TYCO ELECTRONICS CORPORATION. ALL RIGHTS RESERVED.

LOC	DIST	REVISIONS					
AF	50	P	LTR	DESCRIPTION	DATE	OWN	APPD
		B		REL PER 063A-0754-03	09DEC03	JR	PD

2 WILL ACCEPT A MAX WIRE SIZE OF #14 AWG, AND A 4.32 [.170] MAX INSULATION DIA.
 3 PREPRODUCTION - FASR REQ



3 521664-1
PART NO.

THIS DRAWING IS A CONTROLLED DOCUMENT.		DRN	20AU003	Tyco Electronics	Tyco Electronics Corporation	
		CHK	20AU003		Horriaburg, PA 17105	
DIMENSIONS:		APPD	20AU003	HOUSING, RECEPTACLE, FASTON, 6.35 [.250] SERIES		
TOLERANCE UNLESS OTHERWISE SPECIFIED:		NAME		RESTRICTED TO		
0 PLC	±			SEE	DATE CODE	DRAWING NO.
1 PLC	±			A2	00779	521664
2 PLC	±			SCALE 5:1 SHEET 1 OF 1 REV B		
3 PLC	±			CUSTOMER DRAWING		
4 PLC	±					
ANGLES	±					
MATERIAL: 6/6 NYLON		FINISH: NATURAL				

AMP 1431-9 REV 31 MAR 2000

H:\vdm\mccread\

521664

A