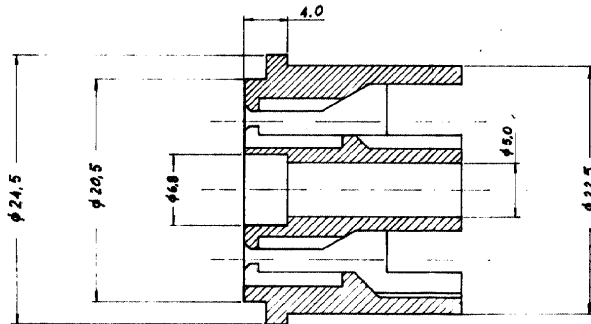
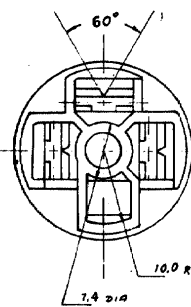
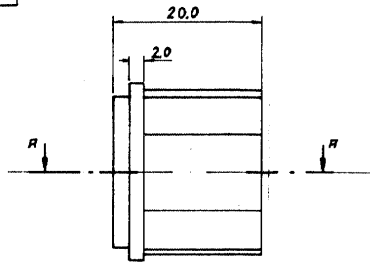
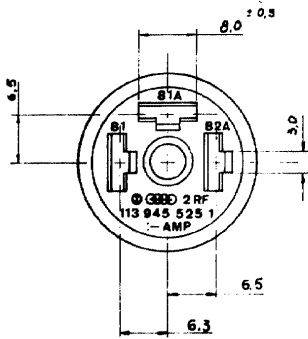


DRAWING MADE IN THIRD ANGLE PROJECTION

© Copyright 1975 by AMP DO BRASIL - S. P. All International Rights Reserved.
AMP Incorporated products covered by U. S. and Foreign patents and/or patents pending

REVISIONS					
#	ZONE	LTR	DESCRIPTION	DATE	APPROVED



SECCÃO 'A-A'
ESCALA 3:1

NATURAL	POLIMIDA 616	626 311-0
COLOR	MATERIAL	PART NO

UNLESS OTHERWISE SPECIFIED DIMENSIONS ARE IN INCHES. TOLERANCES ON: DECIMALS ± 0.2mm ANGLES ±	CONTRACT NO	DR	CHK
	MATERIAL	APPD	APPD
	VEJA TABELA	DSGN APPD	OTHER APPD
	FINISH		

AMP DO BRASIL S. Paulo - Brasil	
NAME 3 WAY .250 FASTEN-ON REC. HSG	
SIZE B	LOC AP. DRAWING NO 626 311
SCALE 2:1	SHEET 1-1 REV. C

AMP 1470-1B

CUSTOMER DRAWING