

4

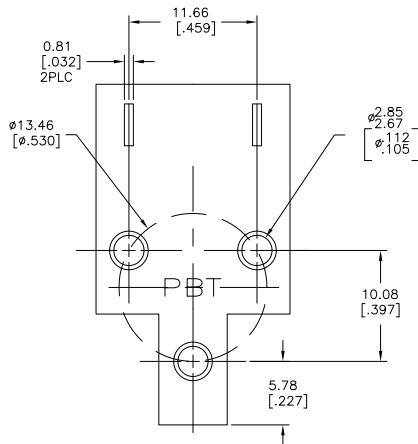
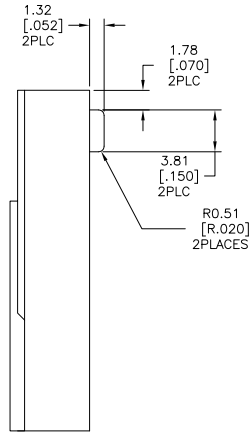
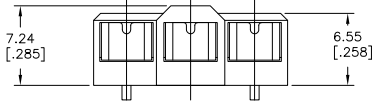
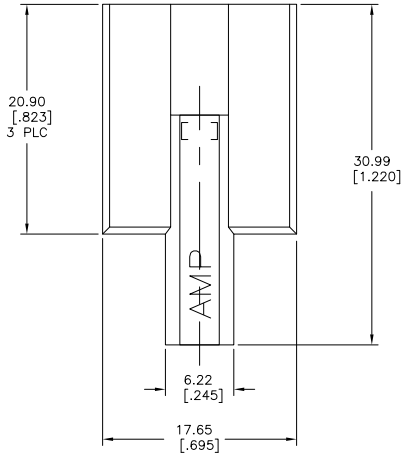
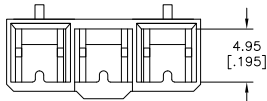
3

2

1

THIS DRAWING IS UNPUBLISHED. RELEASED FOR PUBLICATION. BY TYCO ELECTRONICS CORPORATION. ALL INTERNATIONAL RIGHTS RESERVED.

LOC	DIST	REVISIONS		DATE	BY	APP'D
AF	50	F	LR			
		E		REVISED PER ECR-09-006859	11AUG09	HMR GJ



521078-1
PART NO

THIS DRAWING IS A CONTROLLED DOCUMENT.		DRW: PHIL FORTNEY 6/2/93	Tyco Electronics Corporation Harrisburg, PA 17105-3608
DIMENSIONS: mm [INCHES]		CHK: JR RUTH 6/2/93	
TOLERANCES UNLESS OTHERWISE SPECIFIED:		APP: R WEAVER 6/2/93	NAME: CLUSTER BLOCK, 2.29 [.090] DIA
0 PLC ± -		PRODUCT SPEC: 108-2008	
1 PLC ± -		APPLICATION SPEC: 114-2019	SIZE: A2 CASE CODE: C=521078
2 PLC ± 0.25 (.010)		WEIGHT: -	
3 PLC ± -		MATERIAL: PBT UNFILLED	RESTRICTED TO: -
4 PLC ± -		FINISH: NATURAL	
ANGLES ± -		CUSTOMER DRAWING	SCALE: 4:1 SHEET: 1 of 1 REV: E

1471-9 (1/08)

521078

A