

4

3

2

1

THIS DRAWING IS UNPUBLISHED. RELEASED FOR PUBLICATION 2006
 COPYRIGHT 2006 BY TYCO ELECTRONICS CORPORATION. ALL RIGHTS RESERVED.

LOC	DIST	REVISIONS				
P	LTR	DESCRIPTION	DATE	DWN	APVD	
A		Maß 7.5 +0.2 war 7.8 ±0.2	29JUN1982	-	Hos.	
B		-2 in natur hinzu	31OCT1983	-	Pet.	
C		-3 hinzu	19FEB2002	-	Lau.	
D		NEW CAVITY DETAIL ADDED	29AUG2006	Haas	Goep.	

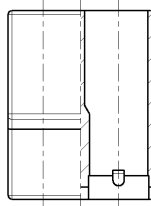
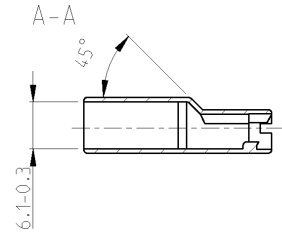
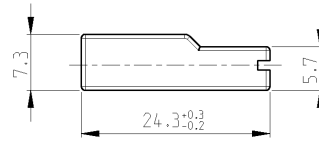
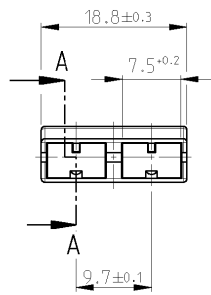
WBF 80-9407
WBS

FORD 82GB-13480-AA Nummer des Schalters
number of the switch

FORD 82 GG 14488 NA

Bemerkungen:
notes:

△1 - FOR FORD ONLY

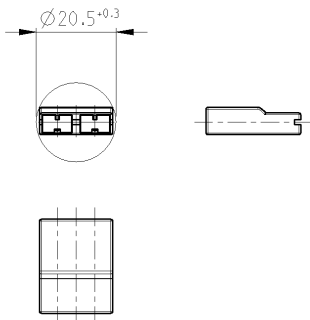


für Flachstecker: SL 100.56 Form B
for tab:

Gehäusematerial gemäß: FORD SPEC SKM-4D 9585-A/B
housing material to:

passend zu Zeichnung: 94BG-14474-ZAA
fitting with drawing:

Maßstab: 1:1
scale



PART NO	MATERIAL	COLOR
926 716-3	PA 6.6	BLACK
926 716-2	△1 PA 6.6	NATURAL
926 716-1	△1 PA 6.6	BLACK

<small>THIS DRAWING IS A CONTROLLED DOCUMENT FOR TYCO ELECTRONICS CORPORATION IT IS SUBJECT TO CHANGE AND THE CONTROLLING ENGINEERING ORGANIZATION SHOULD BE CONTACTED FOR THE LATEST REVISION.</small>		DWN 13JUN1980 W. E. Mukohl CHK - W. Wendling APVD Bleicher M. 01SEP2006	tyco Electronics Tyco Electronics AMP GmbH 64625 Bensheim (Germany)
DIMENSIONS: mm 	TOLERANCES UNLESS OTHERWISE SPECIFIED: 0. PLC ±0.2 1. PLC ±- 2. PLC ±- 3. PLC ±- 4. PLC ±- ANGLES ±1°30'	PRODUCT SPEC - APPLICATION SPEC - WEIGHT 1.08g	NAME 2POS. POSITIVE LOCK HOUSING SIZE A3 CAGE CODE 00779 DRAWING NO. C-926716 RESTRICTED TO -
MATERIAL - FINISH -		CUSTOMER DRAWING SCALE 2:1 SHEET 1 OF 1 REV D	

AMP 1470-19 REV 31MAR2000