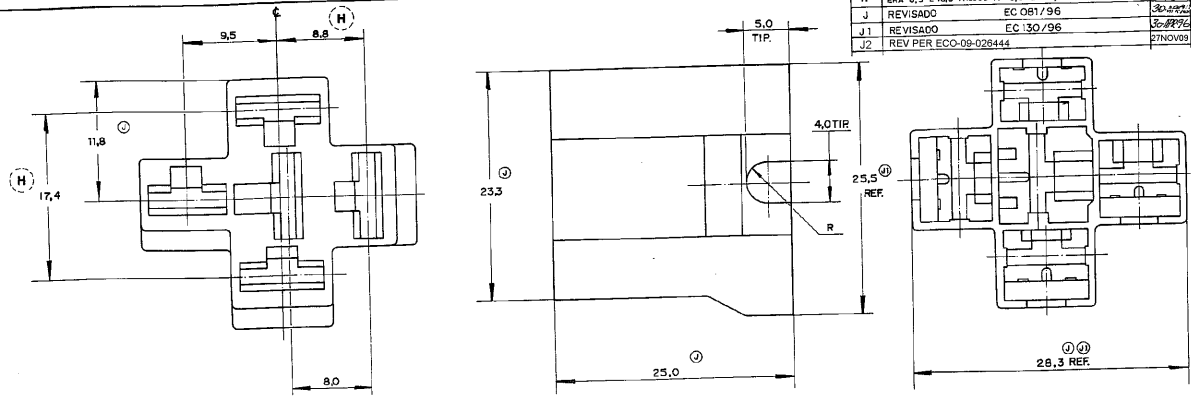


DRAWING MADE IN THIRD ANGLE PROJECTION

© Copyright 1982 by AMP DO BRASIL - S/P. All International Rights Reserved.  
AMP Incorporated products covered by U.S. and Foreign patents and/or patents pending.

| P | F | ZONE | LTR | DESCRIPTION                        | DATE     | APPROVED |
|---|---|------|-----|------------------------------------|----------|----------|
|   |   |      | G   | REDESENHADO                        | 28.1.82  |          |
|   |   |      | H   | ERA 8,5 F.H.9 PASSOU P/ 8,8 E 17,4 | 27.05.84 |          |
|   |   |      | J   | REVISADO EC 081/96                 | 30.04.96 |          |
|   |   |      | J1  | REVISADO EC 130/96                 | 30.09.96 |          |
|   |   |      | J2  | REV PER ECO-09-026444              | 27NOV98  | KK/AEG   |



| COR      | MATERIAL      | PART Nº  |
|----------|---------------|----------|
| LARANJA  | POLIPROPILENO | 626040-0 |
| VIOLETA  |               | 626040-8 |
| CINZA    |               | 626040-7 |
| MARRON   |               | 626040-6 |
| PRETO    |               | 626040-5 |
| AMARELO  |               | 626040-4 |
| AZUL     |               | 626040-3 |
| VERDE    |               | 626040-2 |
| VERMELHO |               | 626040-1 |
| NATURAL  | POLIPROPILENO | 626040-0 |
| LARANJA  | NYLON 6/6     | 626040-9 |
| VIOLETA  |               | 626040-8 |
| CINZA    |               | 626040-7 |
| MARRON   |               | 626040-6 |
| PRETO    |               | 626040-5 |
| AMARELO  |               | 626040-4 |
| AZUL     |               | 626040-3 |
| VERDE    |               | 626040-2 |
| VERMELHO |               | 626040-1 |
| NATURAL  | NYLON 6/6     | 626040-0 |
| COR      | MATERIAL      | PART Nº  |

OBSELETE

2 OBSELETE

2 OBSELETE

2 OBSELETE

2 OBSELETE

NOTA:  
1- LINHA DE CENTRO MOSTRADA É A LINHA DE CENTRO DAS LINGUETAS  
OBSELETE PARTS: OBSELETE CIS STREAMLINING PER D.RENAUD/D.SINISI

UNLESS OTHERWISE SPECIFIED DIMENSIONS ARE IN MM. TOLERANCES ON DECIMALS ON ANGLES

CONTRACT NO

OR *Design 296/82*

APPD *[Signature]*

DSGN APPD

OTHER APPD

MATERIAL VER TABELA

FINISH VER TABELA

AMP DO BRASIL  
S. Paulo - Brasil

NAME RELAY BASE MOULDING

SIZE B LOC AP DRAWING NO 626040

SCALE SHEET REV 1/2

CUSTOMER DRAWING