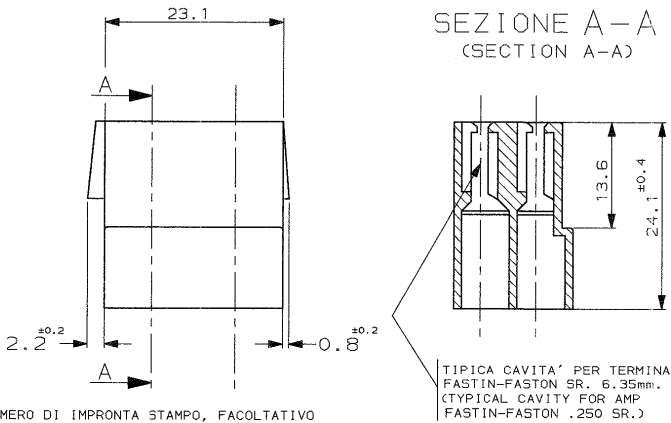
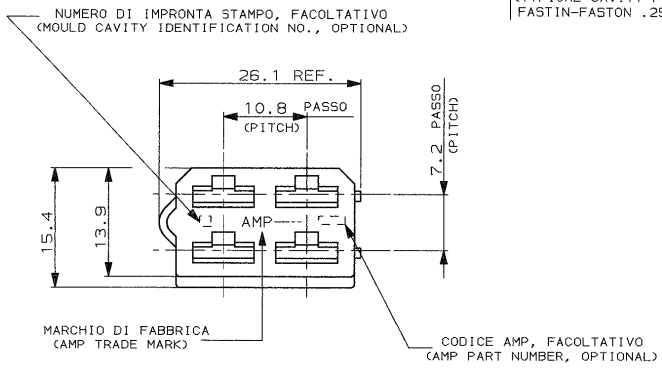


- 1 PRODOTTI SOLO PER AMP GIAPPONE. (RESTRICTED FOR AMP JAPAN).
- 2 NON PRODOTTI DALL'AMP ITALIA. (NOT PRODUCED BY AMP ITALY).
- 3 OBSOLETE PARTS: OBSOLETE CIS STREAMLINING PER D.RENAUD/D.SINISI

SEZIONE A-A  
(SECTION A-A)



OBSOLETE	1	NEUTRO (CLEAR)	PA 6.6 (PA 6.6 UNFILLED)	3-180900-0
	2	NERO (BLACK)	PA 6.6 UL 94 V-0 (PA 6.6 F.R. 94 V-0)	5-180900-0
	2	NERO (BLACK)	PA 6.6 (PA 6.6 UNFILLED)	4-180900-0
	2	NERO (BLACK)		3-180900-0
	2	ROSSO (RED)	PP	2-180900-0
OBSOLETE	2	NEUTRO (CLEAR)	ABS	1-180900-0
	3	GRIGIO (GRAY)		180900-7
OBSOLETE	2	NERO (BLACK)	PA 6.6 (PA 6.6 UNFILLED)	180900-5
	2	VERDE (GREEN)		180900-2
	2	ROSSO (RED)		180900-1
		NEUTRO (CLEAR)		180900-0
	NOTE (NOTES)	COLORE (COLOUR)	MATERIALE (MATERIAL)	NUMERO (PART NUMBER)



**CUSTOMER DWG. FOR REFERENCE ONLY**     **DISEGNO PER CLIENTE SOLO PER RIFERIMENTO**

THIS DRAWING IS UNPUBLISHED. RELEASE FOR PUBLICATION 19

© COPYRIGHT 19 BY AMP INCORPORATED, HARRISBURG, PA. ALL INTERNATIONAL RIGHT RESERVED. AMP PRODUCTS MAY BE COVERED BY U.S. AND FOREIGN PATENT AND/OR PATENT PENDING

TOLLERANZE: SE NON DIVERSAMENTE SPECIFICATO (TOLERANCES: UNLESS OTHERWISE SPECIFIED)

±0.3

ANGOLI (ANGLES) ± 2°

DIS. A. MORETTI 1 FEB '80

CONT. R. ROGGERO 4 FEB '80

DESCRIZIONE (DESCRIPTION) 4 WAY FASTIN-FASTON RECEPTACLE HOUSING .250 Sr.

LOC. SIZE NUMERO (DIM. NO.) I A3 C-180900

REV. FOGLIO (SHEET) 1 OF 1

tyco Electronics     AMP ITALIA S.p.A. Corso F.lli. Capri, 15 COLLENO (TORINO)

AZ3	REV PER ECO-10-000445	KK	09JAN 10
AZ2	ADDED VIEW ET00-0088-02	HY	29 FEB 80
AZ1	REVISED AND REDRAWN FOR ET00-0067-98	M.P.	11-98
REV. APPR. (REV. RECORD)	DIS. DATA (DATE)	APP. (APP.)	COATE