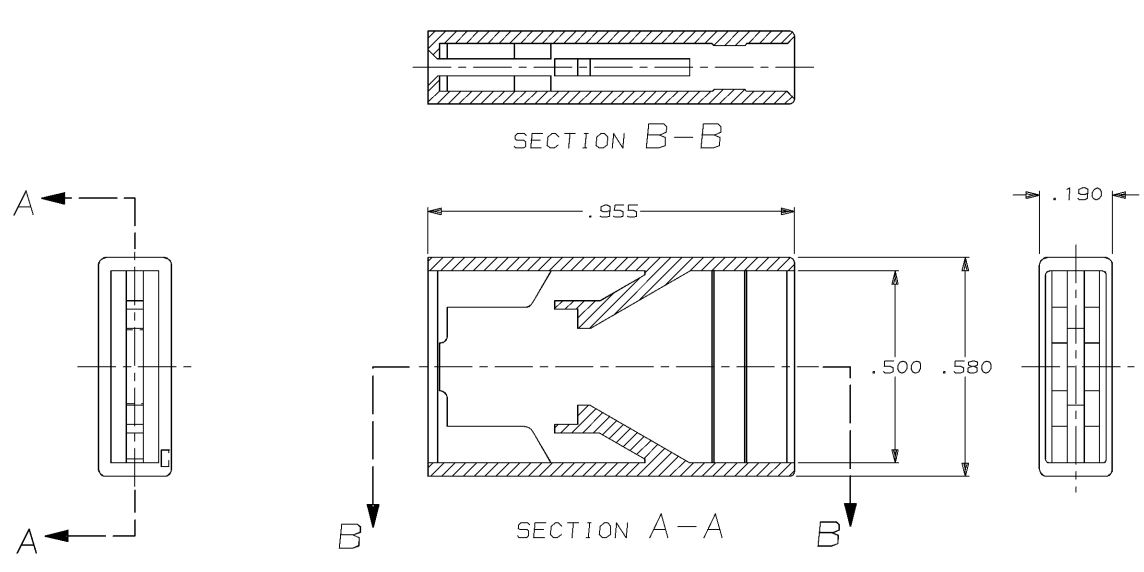


THIS DRAWING IS UNPUBLISHED. RELEASED FOR PUBLICATION, 19		LOC	DIST	REVISIONS						
© COPYRIGHT 19 BY AMP INCORPORATED. ALL INTERNATIONAL RIGHTS RESERVED.		AF	50	P	F	ZONE	LTR	DESCRIPTION	DATE	APPD
							F	REV PER 0710-0081-95	3/2/95	JR/RB



1-480458-0
PART NO

DO NOT SCALE PRINT. UNLESS SPECIFIED DIMENSIONS ARE IN INCHES TOLERANCES ON: 2 PLC DEC ± .015 ANGLES ± -		DR 2/4/91 JR RUTH	AMP AMP Incorporated Harrisburg, PA 17105-3608	NAME HOUSING, RECEPTACLE, FASTON™ .250 SERIES	
MATERIAL 6/6 NYLON	CHK 2/4/91 P FORTNEY	APPD 2/4/91 C HEVERS		SIZE B	CAGE CODE 00779
FINISH NATURAL	PRODUCT SPEC -	APPD 2/4/91 D REINER	APPLICATION SPEC -	DRAWING NO 480458	WEIGHT -
			SCALE 4:1	SHEET 1 OF 1	

AMP 1470-15 REV 11-89
02-MAR-95 15:10:53 amp13469 /files/dept2121/dwg2121/u.hsg

CUSTOMER DRAWING