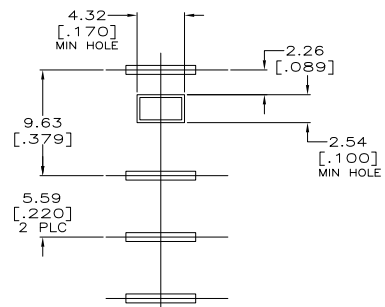
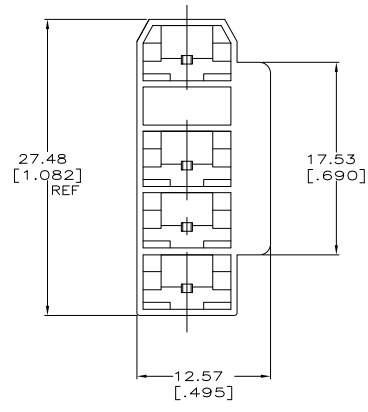
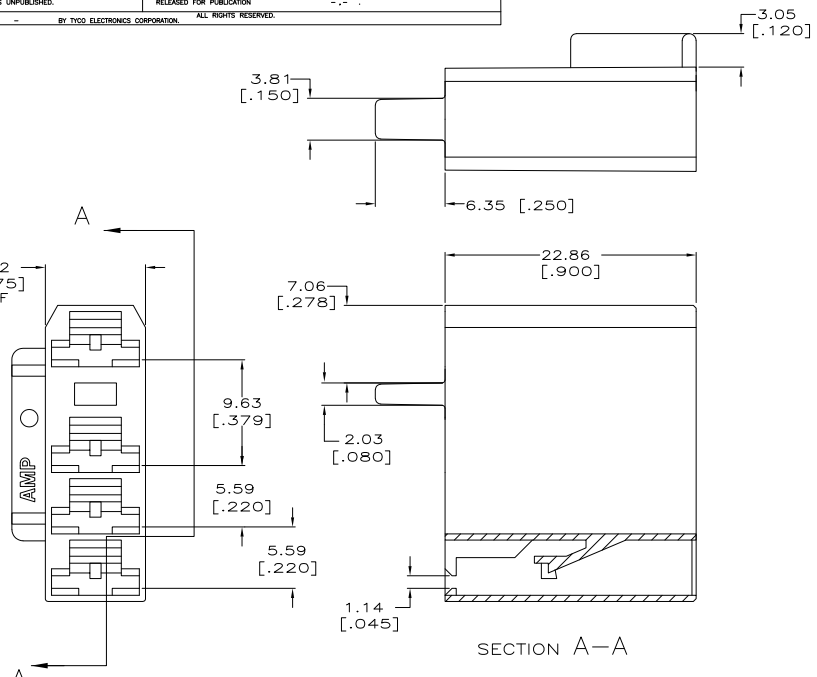


THIS DRAWING IS UNPUBLISHED. RELEASED FOR PUBLICATION
 © COPYRIGHT BY TYCO ELECTRONICS CORPORATION. ALL RIGHTS RESERVED.

LOC		DIBT		REVISIONS		
P	LR	DESCRIPTION	DATE	BY	APD	
B1		REVISED PER ECR-09-027342	18DEC09	HMR	PD	

1 FOR USE WITH TYCO ELECTRONICS 250 SERIES LOW INSERTION RECEPTACLES.



SUGGESTED P.C.BOARD DIMENSIONS

BLACK	6/6 NYLON	521065-1
FINISH	MATERIAL	PART NUMBER

THIS DRAWING IS A CONTROLLED DOCUMENT.		DR. J.R. RUTH 7/28/94	Tyco Electronics Corporation Harrisburg, Pa 17105-3608
DIMENSIONS: INCHES		CHK. M.S. FEHER 7/28/94	
OTHER DIMENSIONS: MILLIMETERS		APD. -	Tyco Electronics HOUSING, RECEPTACLE, FASTON, 6.35 [.250] SERIES
FINISH		PRODUCT SPEC. -	
MATERIAL SEE TABLE		APPLICATION SPEC. -	SIZE CASE CODE DRAWING NO. RESTRICTED TO
FINISH SEE TABLE		WEIGHT -	A2 00779 C-521065
CUSTOMER DRAWING		SCALE 4:1	SHEET 1 OF 1 REV B1

AMP 1471-9 REV 31MM2000