

4

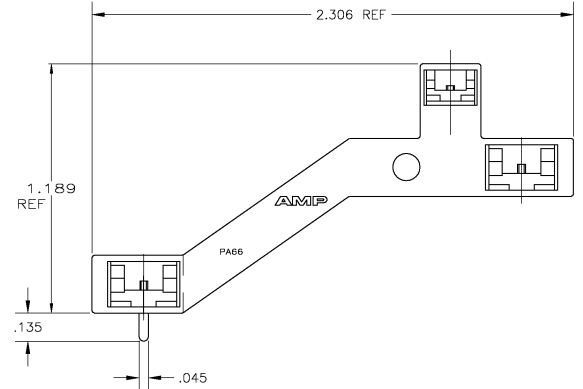
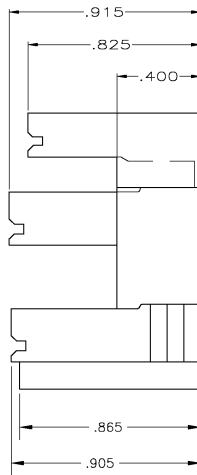
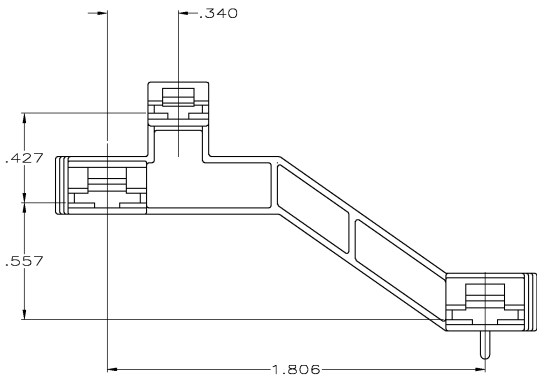
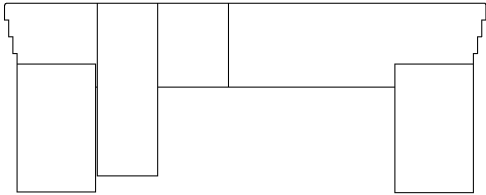
3

2

1

THIS DRAWING IS UNPUBLISHED. RELEASED FOR PUBLICATION
 © COPYRIGHT BY TYCO ELECTRONICS CORPORATION. ALL RIGHTS RESERVED.

LOC	DIST	REVISIONS			
P	LTR	DESCRIPTION	DATE	BY	APPD
AF	50				
	H	REV PER 063A-0784-03	15DEC03	JR	PD



521488-1
 PART NO.

THIS DRAWING IS A CONTROLLED DOCUMENT.		DRW: JR_RUTH 06MAY02	 Tyco Electronics Corporation Harrisburg, PA 17105
DIMENSIONS: INCHES		CHK: J DESANTIS 06MAY02	
DIMENSIONS: INCHES 0 DEC ± .010 1 DEC ± .010 2 DEC ± .010 3 DEC ± .010 4 DEC ± .010 ANGLES ± .5°		APPD: J DESANTIS 06MAY02	PRODUCT SPEC: — APPLICATION SPEC: — WEIGHT: —
MATERIAL: 6/6 NYLON		FINISH: NATURAL	SHEET: A2 CASE CODE: 00779 DRAWING NO: 521488 RESTRICTED TO: —
		CUSTOMER DRAWING	SCALE: 3:1 SHEET: 1 of 1 REV: H

AMP 1421-9 REV 31MAY0200

H:\4mlecmod\

521488

A