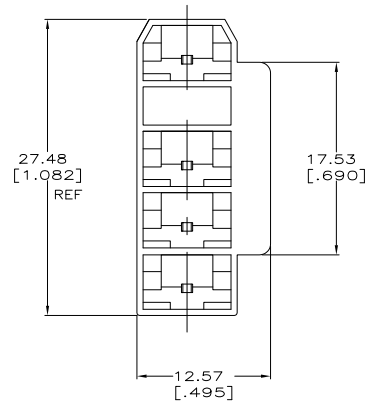


1 FOR USE WITH TYCO ELECTRONICS 250 SERIES LOW INSERTION RECEPTACLES.

⚠ PRELIMINARY - NOT FOR PRODUCTION



NATURAL	66/6 NYLON, V0	521066-3
NATURAL	6/6 NYLON, V0	⚠ 521066-2
BLACK	6/6 NYLON	521066-1
FINISH	MATERIAL	PART NO.

THIS DRAWING IS A CONTROLLED DOCUMENT.

DESIGNER: J.R. RUTH 7/28/94	DATE: 7/28/94	TYCO ELECTRONICS	Tyco Electronics Corporation Harrisburg, Pa 17105-3608
CHK: M.S. FISHER 7/28/94	DATE: 7/28/94	NAME: R. RUZIO	HOUSING, RECEPTACLE, FASTON, 6.35 [.250] SERIES
APP: M.S. FISHER 7/28/94	DATE: 7/28/94	PRODUCT SPEC: -	SIZE: A2
APPLICATION SPEC: -	WEIGHT: -	CAGE CODE: 00779	DRAWING NO: C-521066
MATERIAL: SEE TABLE	FINISH: SEE TABLE	CUSTOMER DRAWING	RESTRICTED TO: -
SCALE: 4:1			SHEET: 1 OF 1
			REV: B6

AMP 1471-9 REV 31MM2000

521066

A