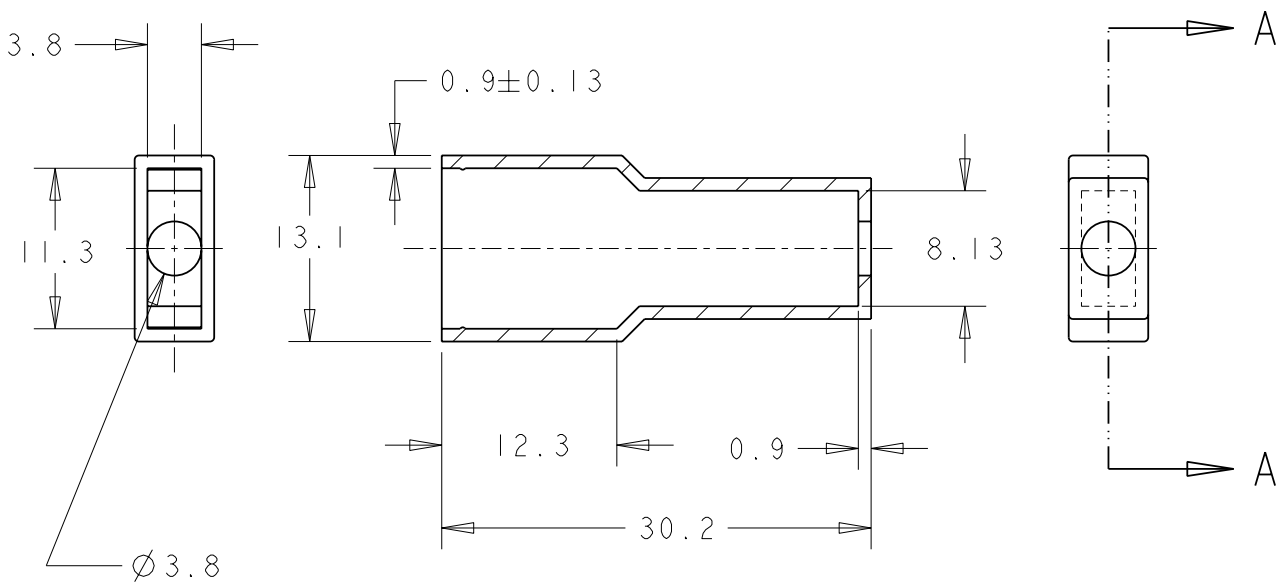


LOC	DIST	REVISIONS				
P	LTR	DESCRIPTION	DATE	DWN	APVD	
		A1	REDRAWN WITHOUT CHANGE	15NOV2007	J.L J.S	
		A2	DIM. 8.13 CORRECTED	09DEC2010	PKS MP	



SECTION A - A

POLIETILENO

THIS DRAWING IS UNPUBLISHED. BY TYCO ELECTRONICS CORPORATION. ALL RIGHTS RESERVED. COPYRIGHT 20

VER NOTA	I	NATURAL	735014-0
MATERIAL		COLOR	REFERENCIA

DIMENSIONS: mm	DWN	15NOV2007	MATERIAL		FINISH	Natural			
	CHK	J.Lazaro	15NOV2007	Tyco Electronics AMP Española S.A Barcelona / España					
TOLERANCES UNLESS OTHERWISE SPECIFIED:		APVD	L.Batillo				15NOV2007		
0 PLC ±General 1 PLC ±Tolerance 2 PLC ±0.4 3 PLC ± 4 PLC ± ANGLES ±	PRODUCT SPEC -		NAME INSULATION SLEEVE FOR 9.5 MM FASTON RECEPTACLE						
APPLICATION SPEC -		SIZE	A4	CAGE CODE	00779	DRAWING NO	C=735014	RESTRICTED TO	-
WEIGHT -		CUSTOMER DRAWING		SCALE	2:1	SHEET	1	OF	1
						REV	A2		